



CONVEYOR COMPONENTS COMPANY

Division of Material Control, Inc.

130 Seltzer Road, PO Box 167 • Croswell, MI 48422 USA

PHONE: (810) 679-4211 • TOLL FREE (800) 233-3233 • FAX: (810) 679-4510

Email: info@conveyorcomponents.com • <http://www.conveyorcomponents.com>

MODEL CT-200GH / CT-201GH SERIES HIGH-TEMPERATURE PROBE INSTRUCTIONS



WARNING:

DEATH or SERIOUS INJURY may occur.

Before installing or adjusting, shut down and physically lock-out the conveyor system.

To prevent ignition in hazardous atmospheres, disconnect power before servicing.

PROBE SPECIFICATIONS:

Standard heavy-duty probe model CT-201GH is 9" [32 cm] long.

Compact probe model CT-200GH is 6" [15cm] long.

The CT probes will remain operational at temperatures within -36°F to 450°F [-37°C to 232°C] ambient. The mercury tilt switch will be damaged if exposed to temperatures outside of this range.

Probes are available in optional stainless steel construction and with a paddle for use in applications where the materials are moving.

CT-200GH, CT-201GH	Mercury, SP/ST switch, normally closed when vertical
Electrical ratings:	1.7 A @ 120VAC, 1.5mA @ 5VDC
Probe input signal:	<50 mA @ 12 VDC typical
Probe actuation angle:	Nominal 15° (13° – 25°) from vertical

Options:

S (CT-200SGH)	Stainless steel construction
P (CT-200GHP)	Welded on paddle
C-(coupler size)	Welded on coupling; specify pipe thread from 3/4 to 1-1/4 NPT Default for CT-200GHC is 3/4" NPT. Default for CT-201GHC is 1-1/4" NPT.



WARNING

DEATH or SERIOUS INJURY may occur.

The CT-200GH and CT-201GH series probes are not for use in hazardous locations, and are not intrinsically safe, even when used with an intrinsically safe controller.

WIRING:

All wiring must be in compliance with applicable Local, Federal, and State codes. Probes are supplied with connection cable attached. The probe cable should be connected to the CT controller through the appropriately marked conduit opening only. If not specified, the probe is supplied with 25 ft. [7.62 m] of cable.

PROBE INSTALLATION:

The probe should be suspended using a fixed support at a position where it will easily intercept the bulk material at the desired indication point. There must be a free flow of material both to and away from the probe. In some installations, it may be necessary to install a baffle or shield above the probe assembly to protect the probe and cable from product surges.

Multiple probes may be installed in a single. Wire probes in series when installing with vertical orientation as the NORMAL position and horizontal orientation as the ALARM position. Wire probes in parallel when installing with horizontal orientation as the NORMAL position and vertical orientation as the ALARM position.

DISPOSAL: At the end of the probe's service life, dispose of properly according to appropriate jurisdictional regulations. Contains up to 1.16 grams of mercury inside epoxy potted tilt-switch.

Figure 1: PROBE DIMENSIONS

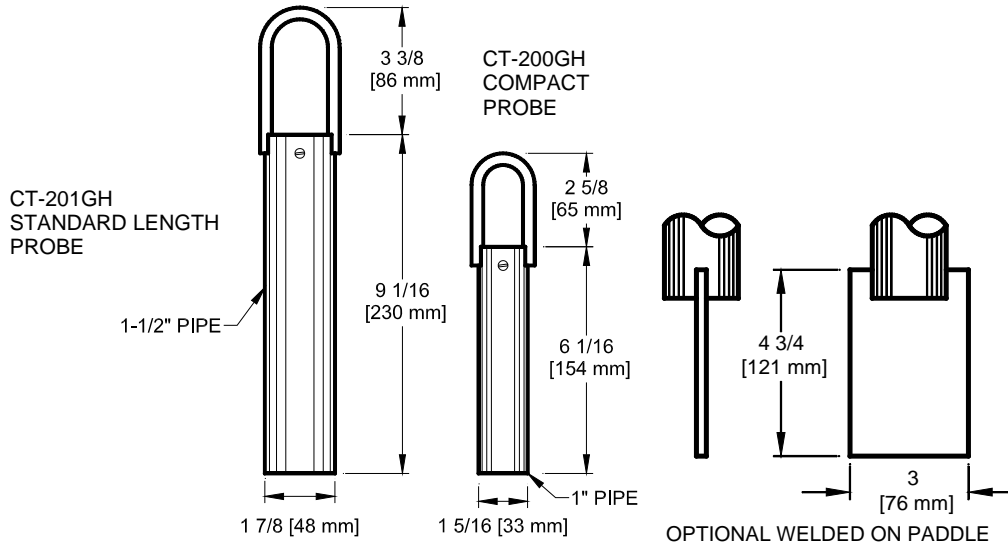


Figure 2: PROBE AND COUPLING OPTIONS

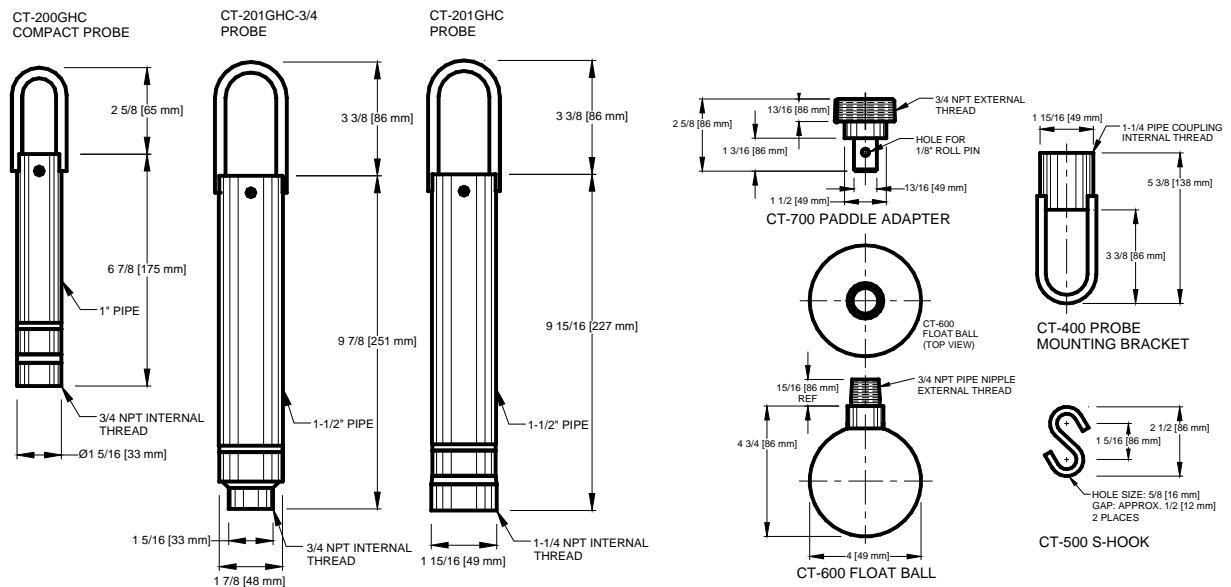


Figure 3: TYPICAL INSTALLATIONS

