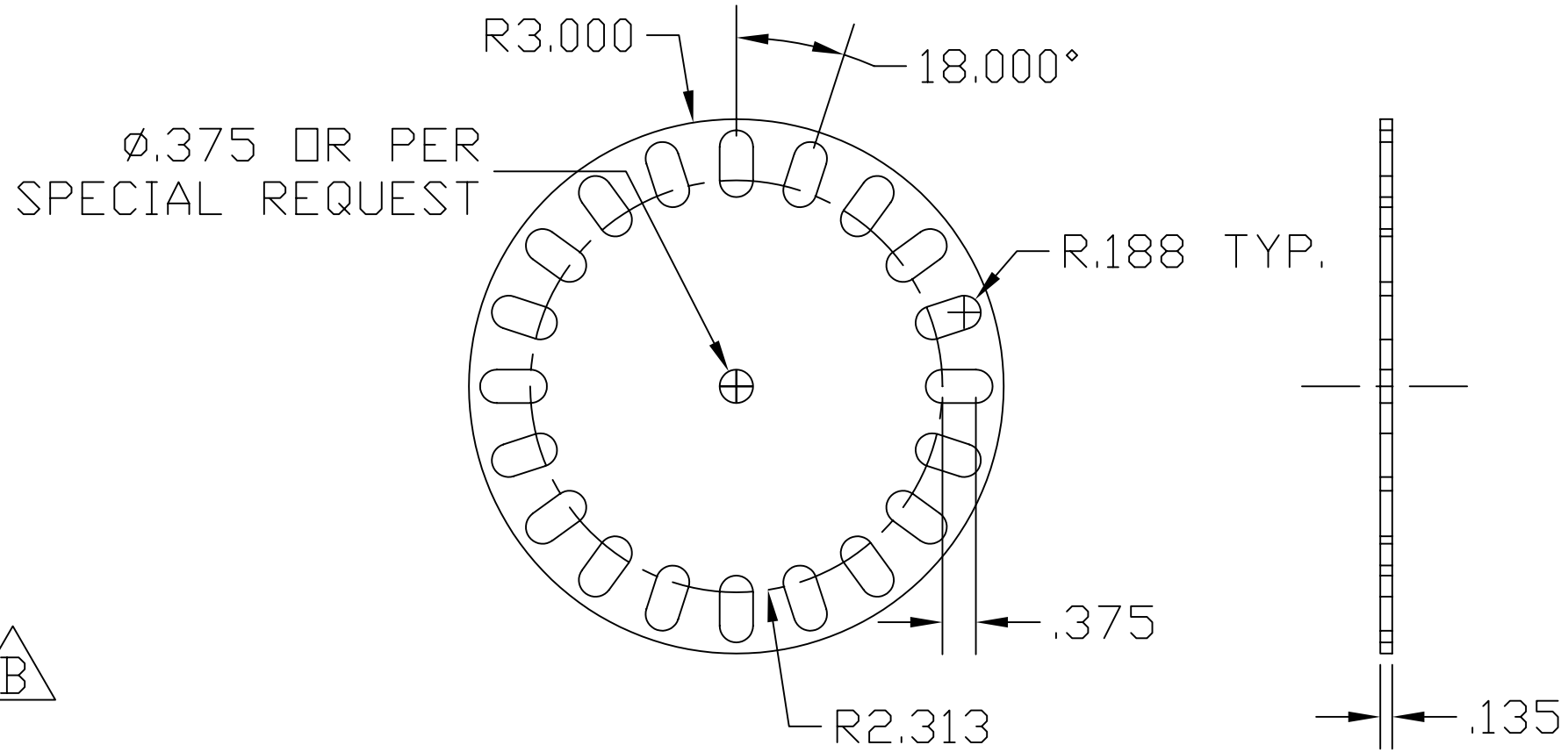


REVISIONS					
REV.	E.C.O.	DESCRIPTION	DATE	BY	APP'D
B	2258	REMOVE Z/P THICKNESS NOTE	11/10/03	GL	JK

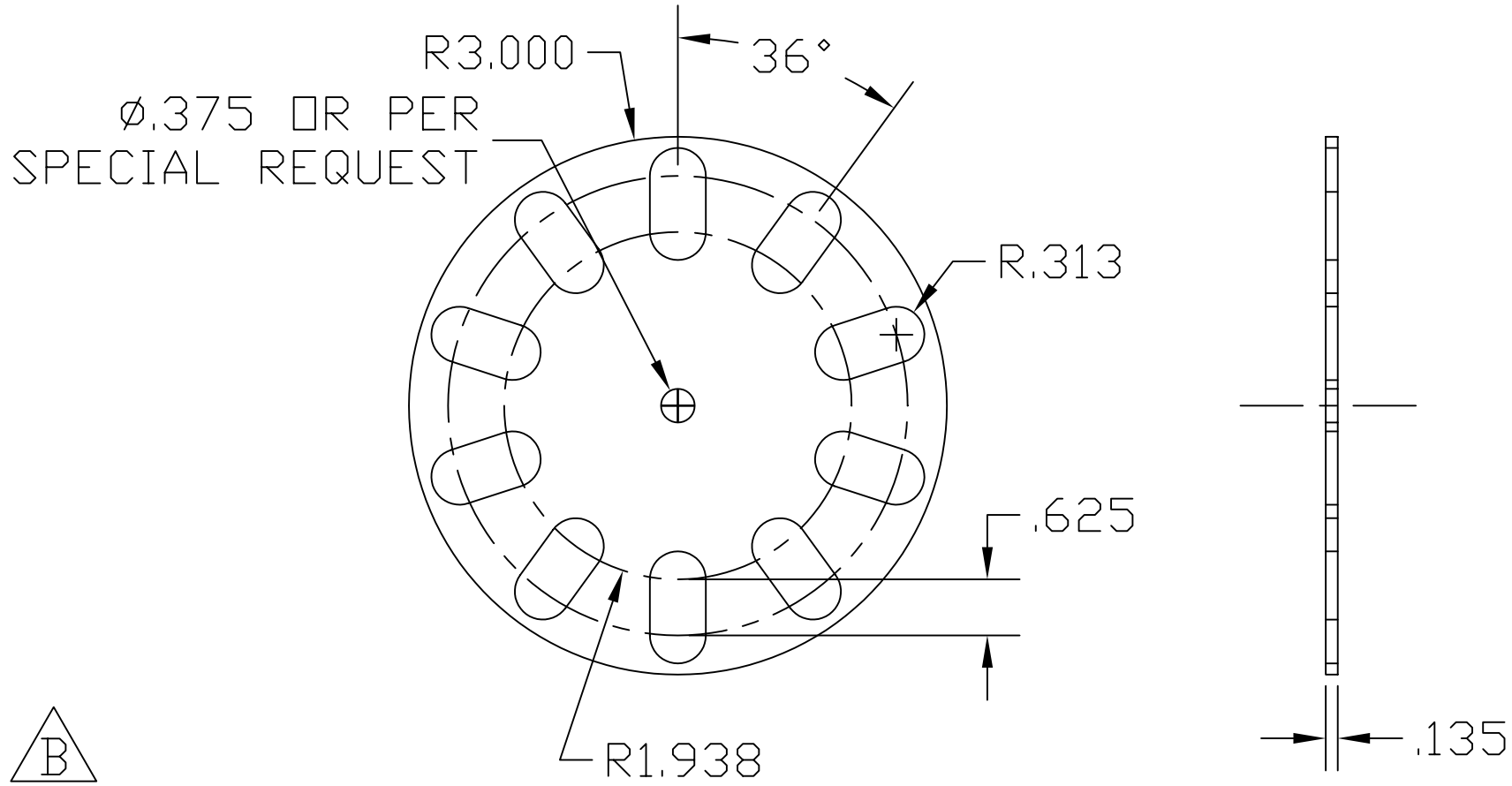


△
B

MATL: 10 GA HR
P&O STEEL.
PART TO BE ZINC
PLATED.

THIS DRAWING IS COMPUTER GENERATED.					
DWN EL	DATE 12/11/97	CONVEYOR COMPONENTS CO.			
CKD	DATE	130 SELTZER RD, CROSWELL, MI 48422			
APD JK	DATE 12/11/97	8MM TARGET FOR RMS			
THIS PRINT IS THE PROPERTY OF CONVEYOR COMPONENTS CO. AND MUST NOT BE USED IN WHOLE, OR PART WITHOUT WRITTEN PERMISSION.		PART NO. RMS-8T	DWG. NO. A0050024	REV. B	
PLEASE RETURN ON DEMAND.		SCALE HALF	SHT. 1-1		

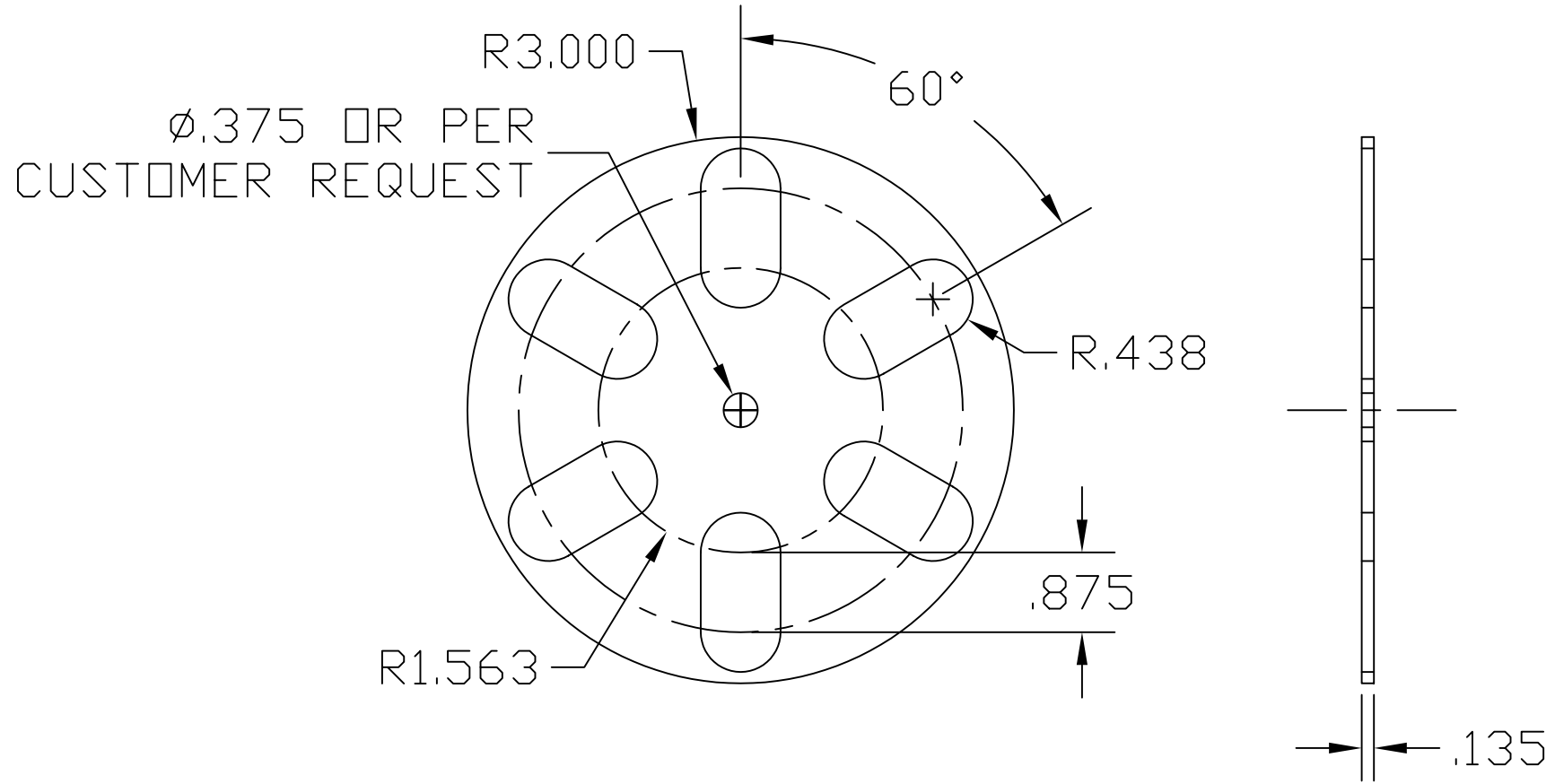
REVISIONS					
REV.	E.C.O.	DESCRIPTION	DATE	BY	APP'D
B	2258	REMOVE Z/P THICKNESS NOTE	11/10/03	GL	JK



MATL: 10 GA HR
P&O STEEL.
PART TO BE ZINC
PLATED.

THIS DRAWING IS COMPUTER GENERATED.					
DWN EL	DATE 12/11/97	CONVEYOR COMPONENTS CO.			
CKD	DATE	130 SELTZER RD, CROSWELL, MI 48422			
APD JK	DATE 12/11/97	12MM TARGET FOR RMS			
THIS PRINT IS THE PROPERTY OF CONVEYOR COMPONENTS CO. AND MUST NOT BE USED IN WHOLE, OR PART WITHOUT WRITTEN PERMISSION.		PART NO. RMS-12T	DWG. NO. A0050025	REV. B	
PLEASE RETURN ON DEMAND.		SCALE HALF	SHT. 1-1		

REVISIONS					
REV.	E.C.O.	DESCRIPTION	DATE	BY	APP'D
B	2258	REMOVE Z/P THICKNESS NOTE	11/10/03	GL	JK

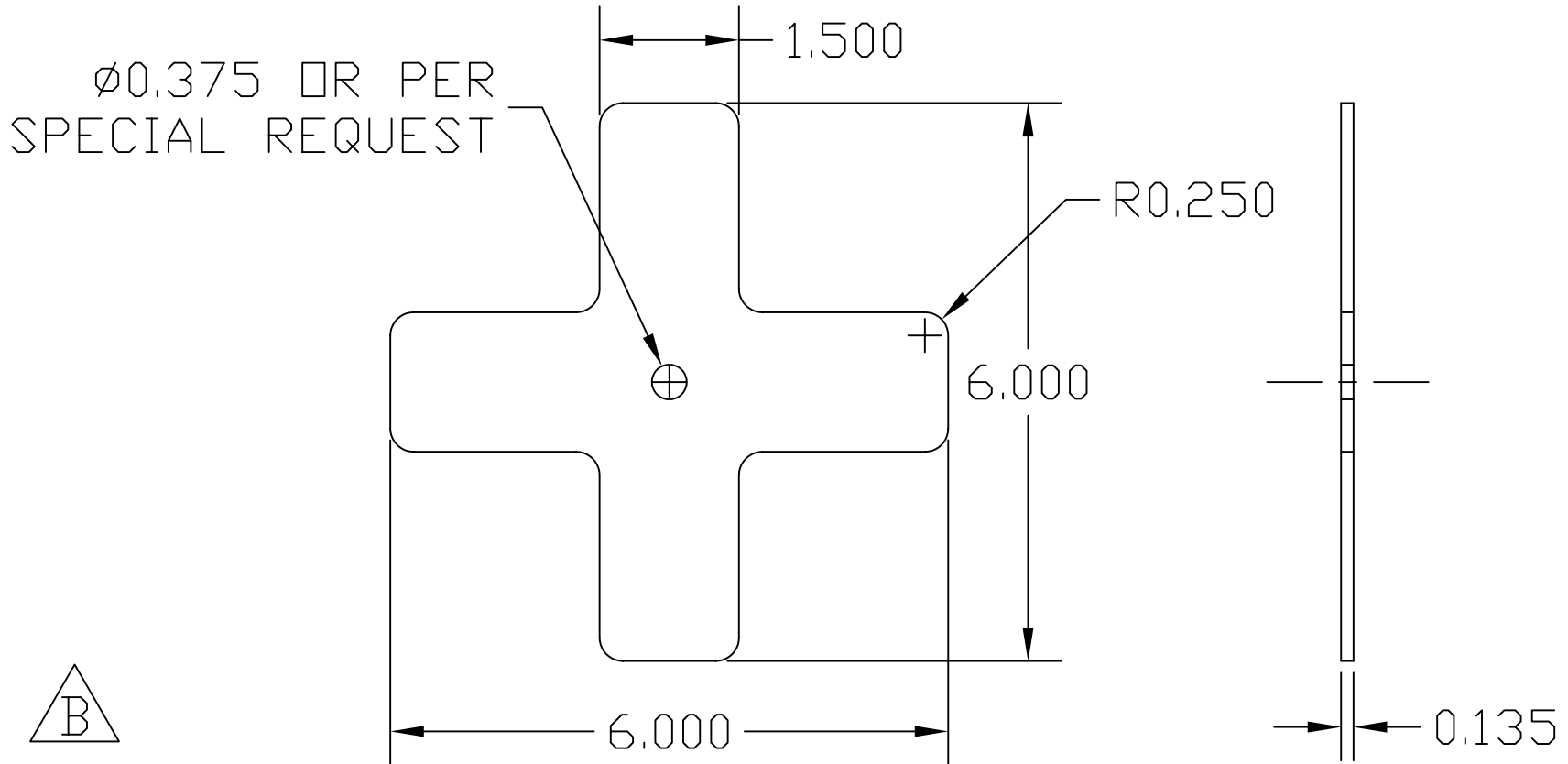


△
B

MATL: 10 GA HR
P&O STEEL.
PART TO BE ZINC
PLATED.

THIS DRAWING IS COMPUTER GENERATED.					
DWN EL	DATE 12/11/97	CONVEYOR COMPONENTS CO.			
CKD	DATE	130 SELTZER RD, CROSWELL, MI 48422			
APD JK	DATE 12/11/97	18MM TARGET FOR RMS			
THIS PRINT IS THE PROPERTY OF CONVEYOR COMPONENTS CO. AND MUST NOT BE USED IN WHOLE, OR PART WITHOUT WRITTEN PERMISSION.		PART NO. RMS-18T	DWG. NO. A0050026	REV. B	
PLEASE RETURN ON DEMAND.		SCALE HALF	SHT. 1-1		

REVISIONS					
REV.	E.C.O.	DESCRIPTION	DATE	BY	APP'D
B	2258	REMOVE Z/P THICKNESS NOTE	11/10/03	GL	JK



MATL: 10 GA HR
P&O STEEL.
PART TO BE ZINC
PLATED.

THIS DRAWING IS COMPUTER GENERATED.					
DWN	EL	DATE	12/11/97	CONVEYOR COMPONENTS CO.	
CKD		DATE		130 SELTZER RD, CROSWELL, MI 48422	
APD	JK	DATE	12/11/97	30 MM TARGET FOR RMS	
THIS PRINT IS THE PROPERTY OF CONVEYOR COMPONENTS CO. AND MUST NOT BE USED IN WHOLE, OR PART WITHOUT WRITTEN PERMISSION. PLEASE RETURN ON DEMAND.				PART NO.	DWG. NO.
				RMS-30T	A0050027
				SCALE	REV.
HALF			SHT.	1-1	B