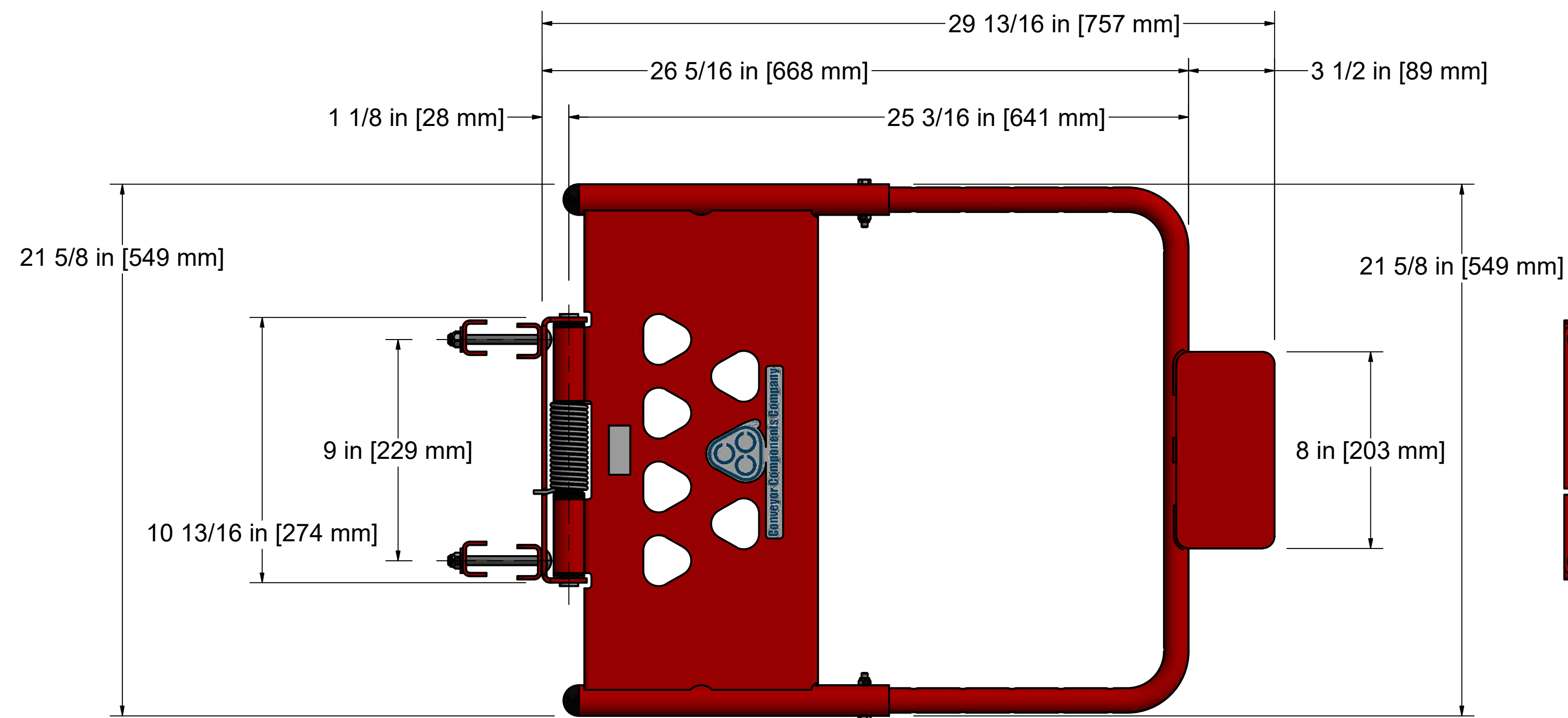
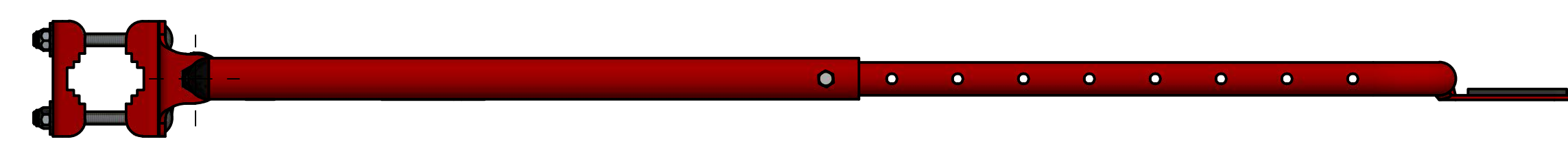
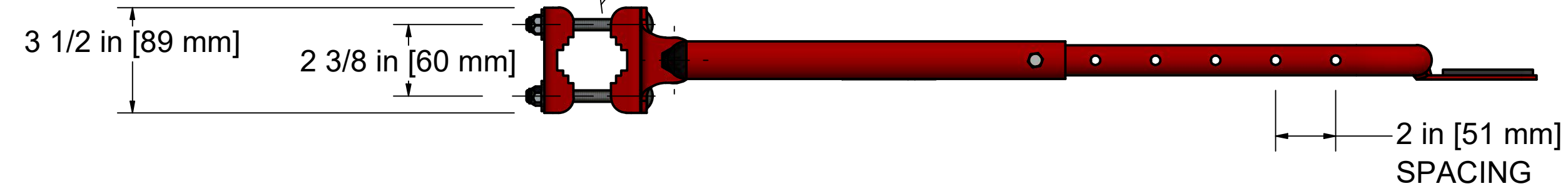
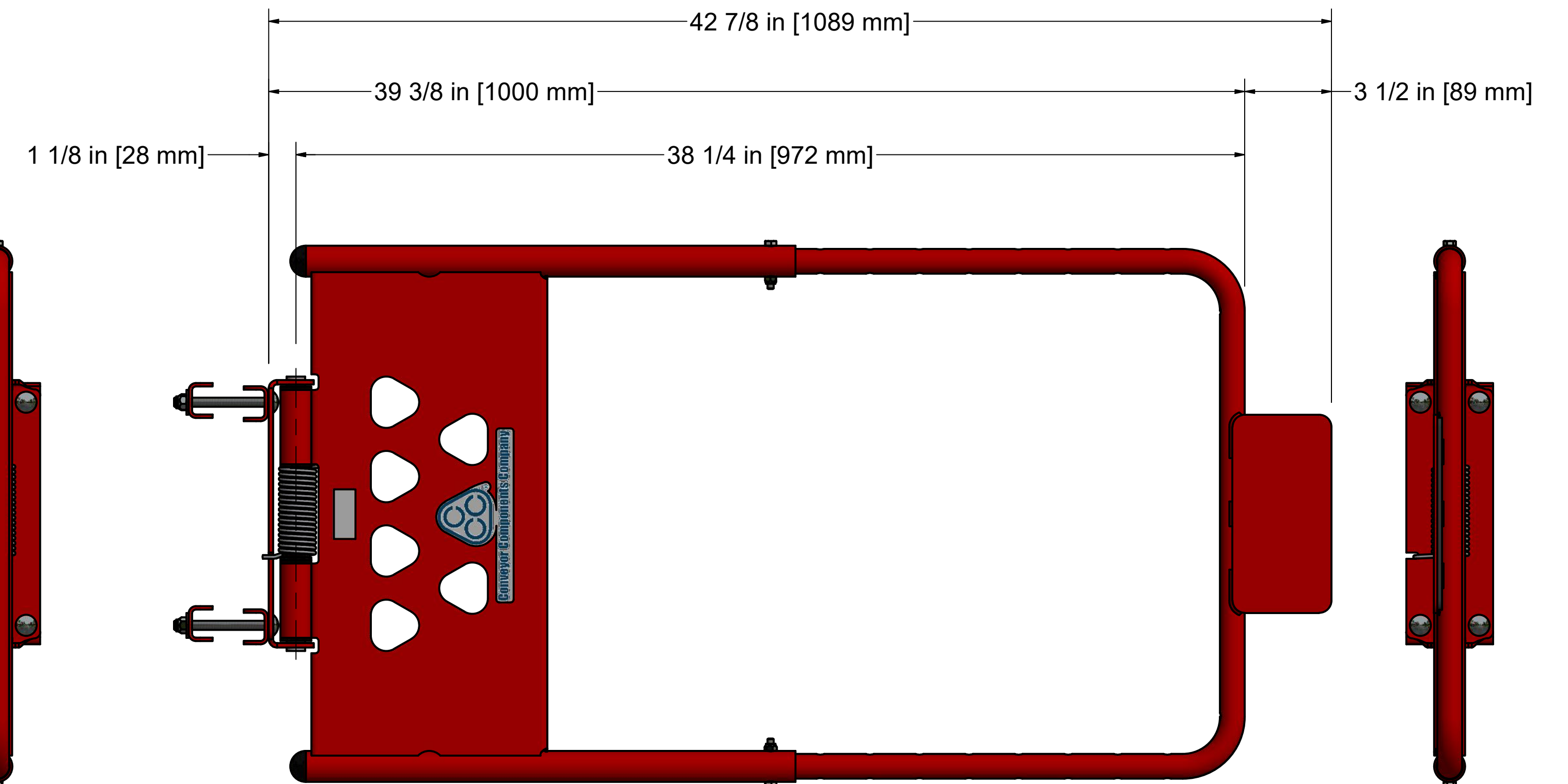


REV	ECO	DESCRIPTION	DATE	BY	APPD
A	0367c	NEW DRAWING	2/28/2020	GL	LW

FITS 1" TO 2" [25.4-50.8 mm] ROUND OR SQUARE SAFETY GUARDRAIL POSTS.
SEE INSTRUCTION I1330001 FOR DETAILS.



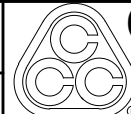
READY GATE 26
16-26" [406-660mm] SIZE OPENING
REFER TO DIMENSIONS ABOVE FOR ACTUAL SIZE



READY GATE 40
24-40" [610-1016mm] SIZE OPENING
REFER TO DIMENSIONS ABOVE FOR ACTUAL SIZE

NOTE: DIMS ARE FOR REFERENCE ONLY.

A

DRAWN	GL	2/28/2020	 Conveyor Components Company Division of Material Control, Inc. 130 Seltzer Road, Crosswell, Michigan 48422 U.S.A.
CHECKED	LW	5/4/2020	
APPROVED	LW	5/4/2020	
PART			
THIS PRINT IS PROPERTY OF CONVEYOR COMPONENTS CO., AND MAY NOT BE USED IN WHOLE OR PART WITHOUT WRITTEN PERMISSION.			TITLE PRODUCT DRAWING: READY GATE Drawing is computer generated, and print might not be to scale
SIZE	D	DWG NO	D1330001.dwg
SCALE			REV A
			SHEET 1 OF 1