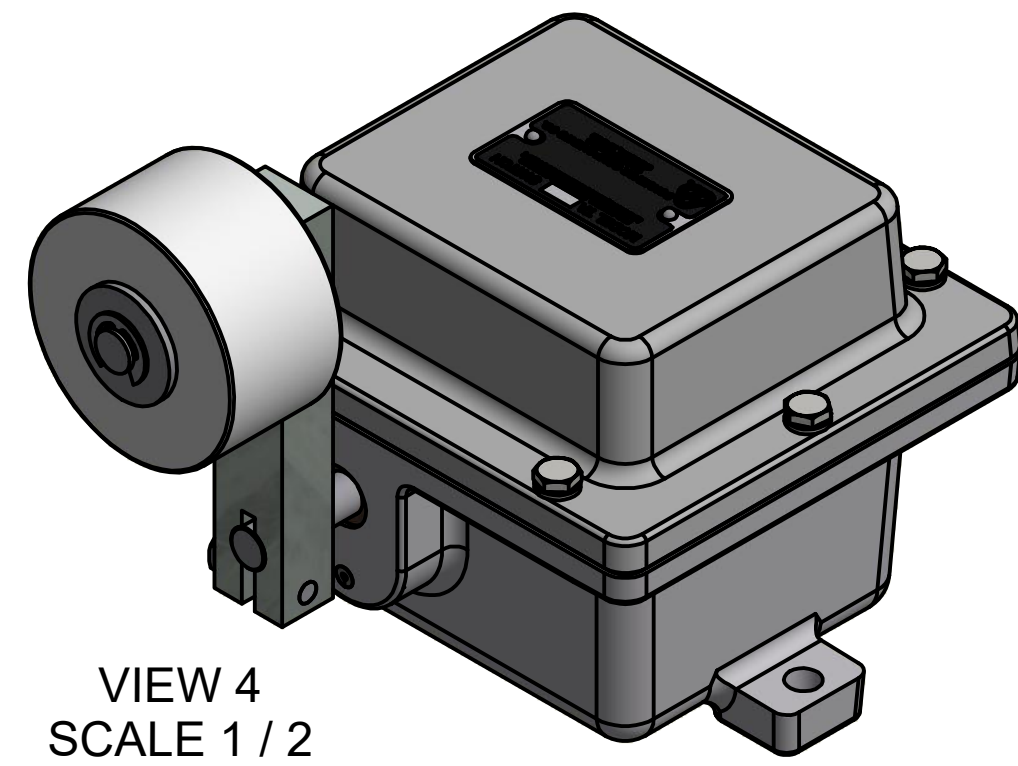
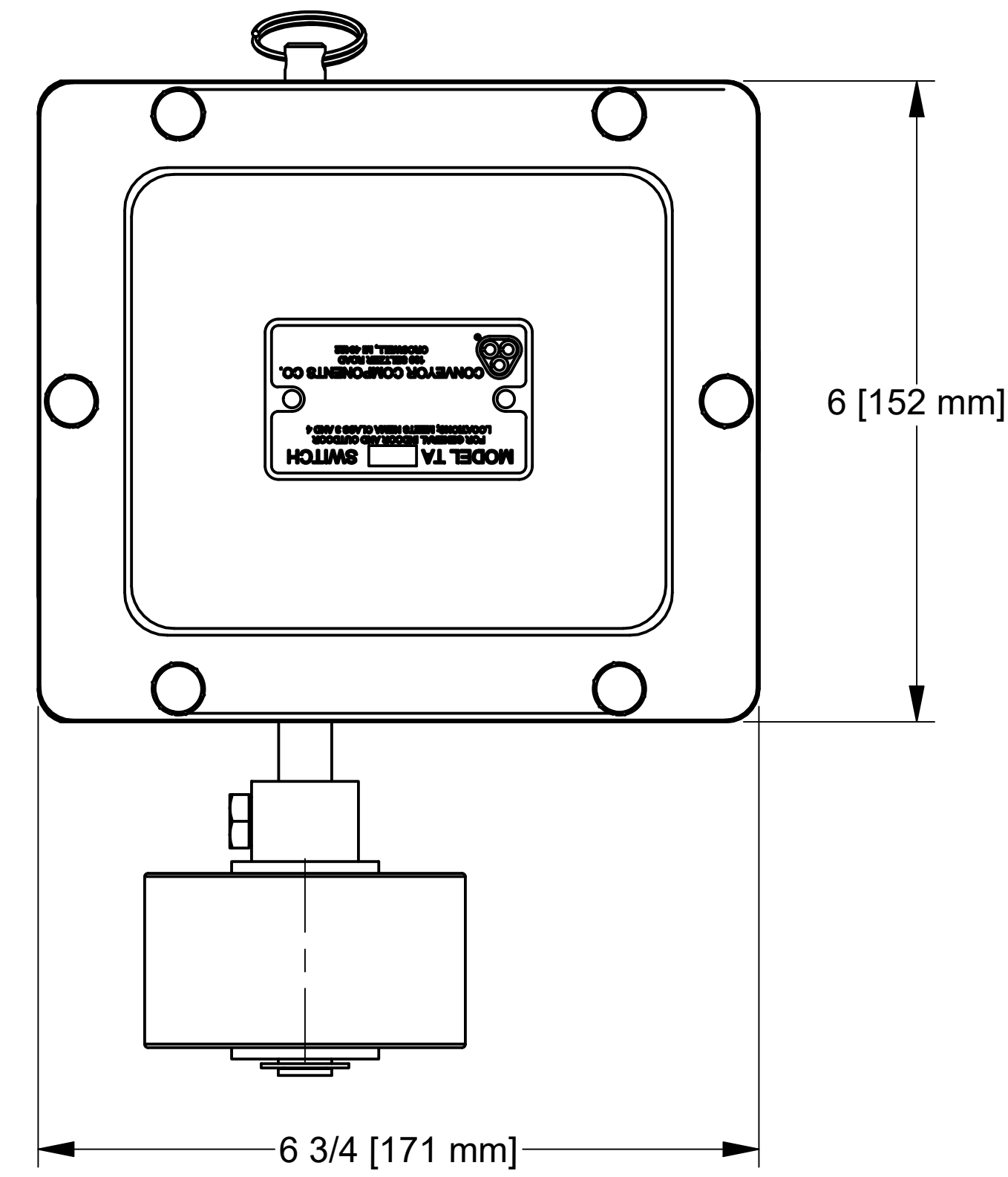
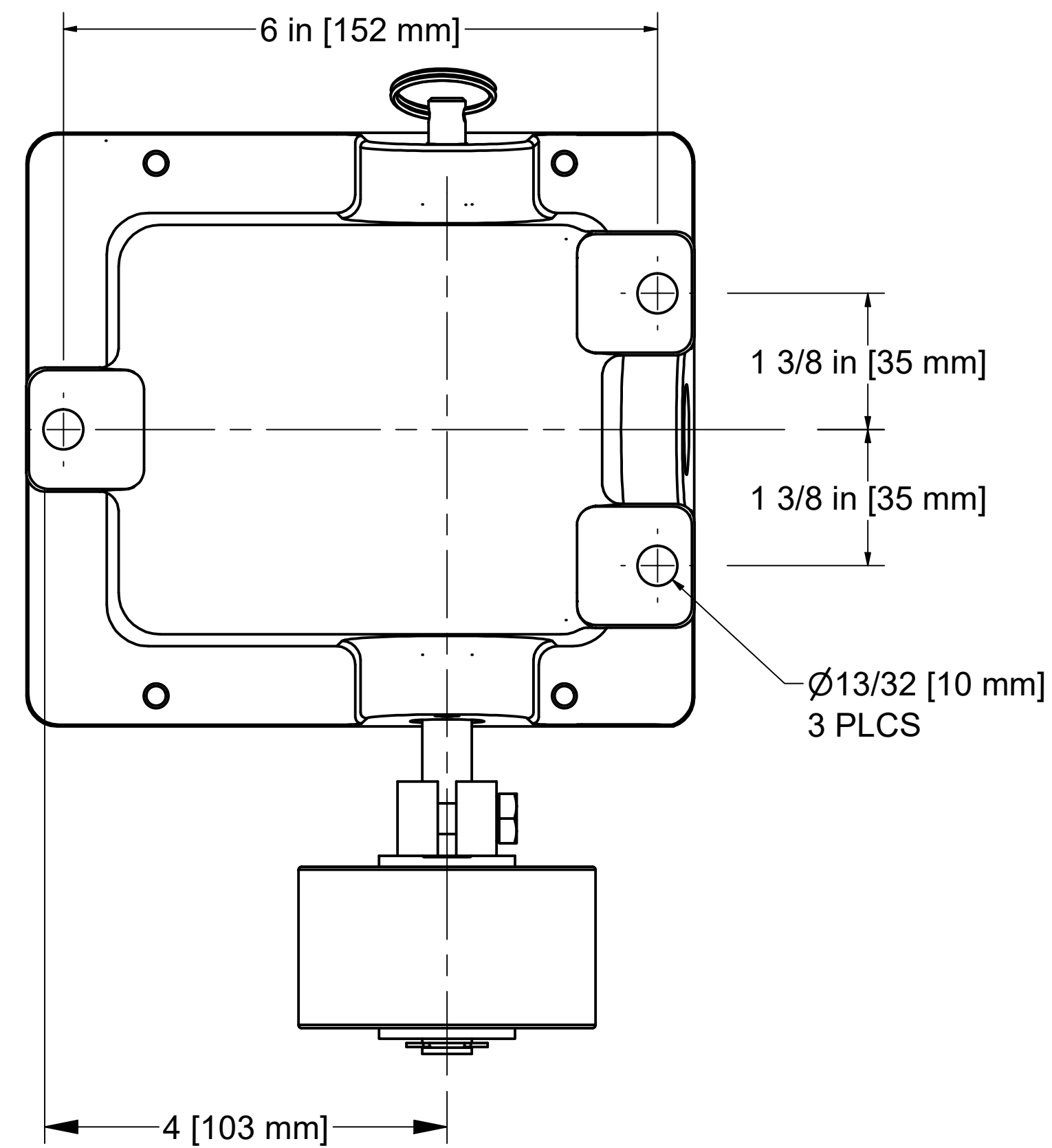


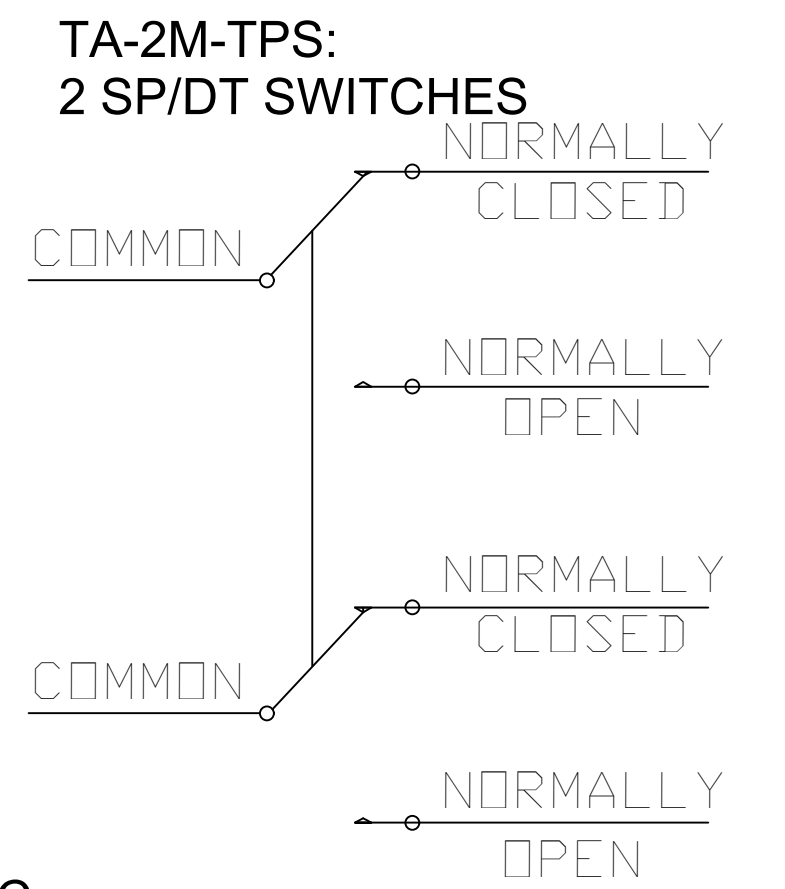
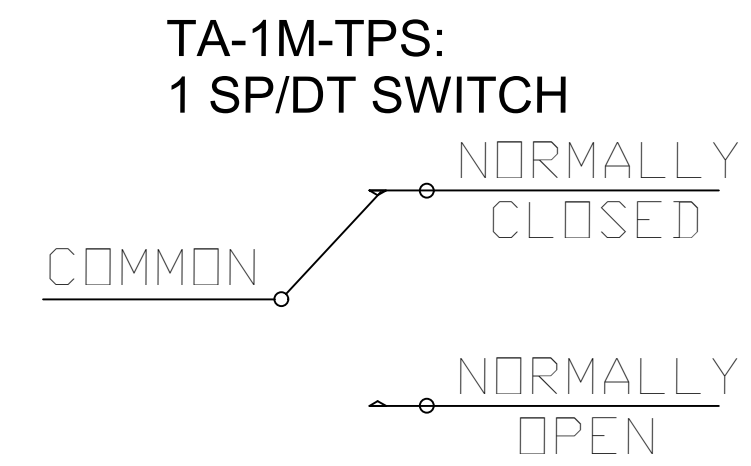
REV	ECO	DESCRIPTION	DATE	BY	APPD
A	0339c	NEW DRAWING	10/10/2019	GL	DLG



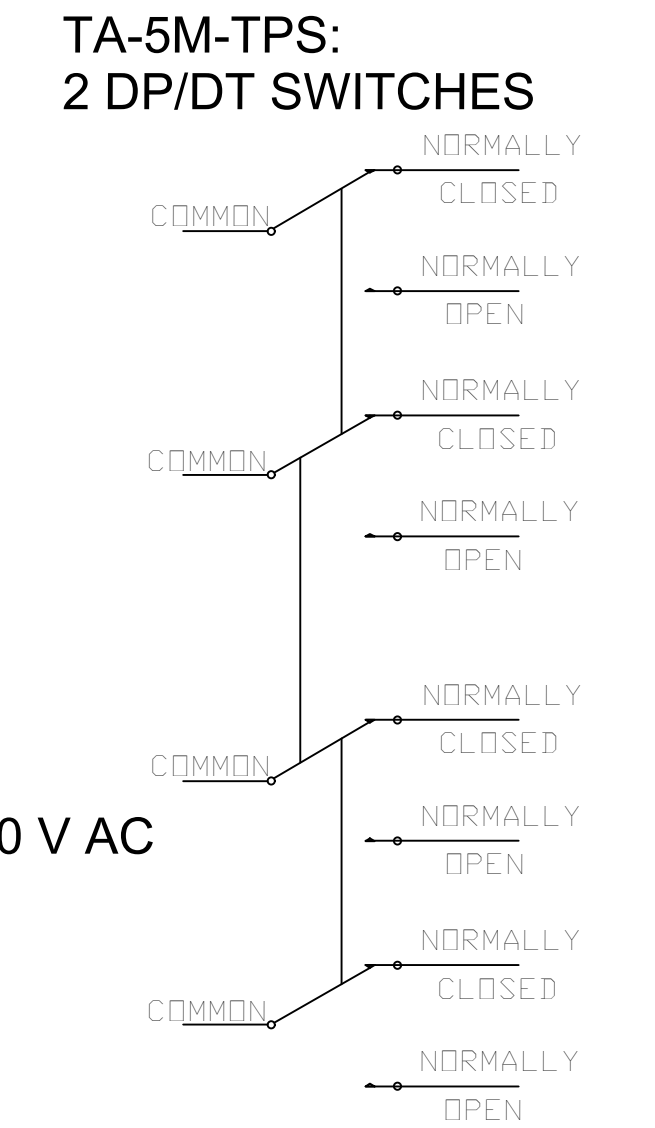
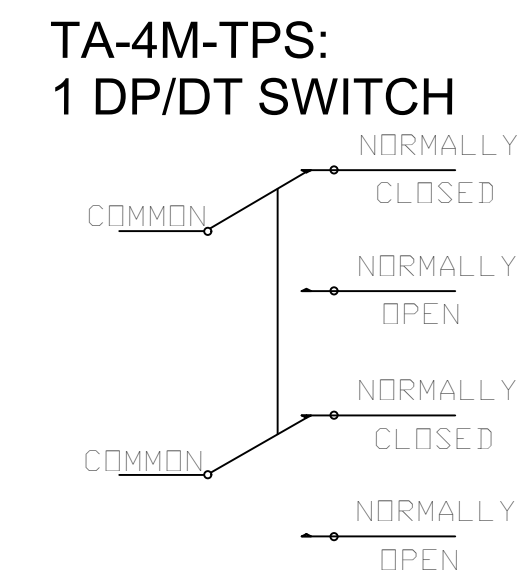
VIEW 4
SCALE 1/2



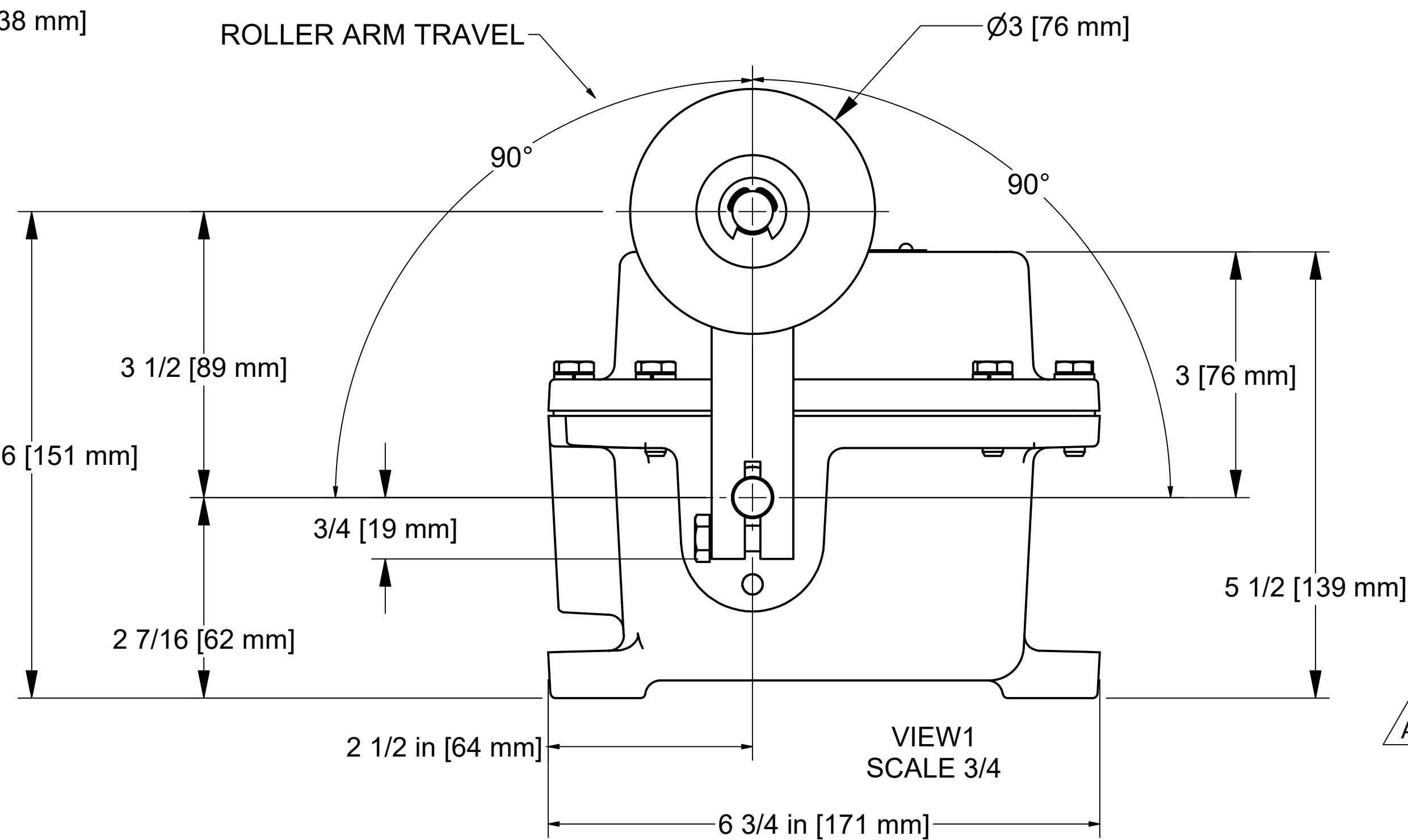
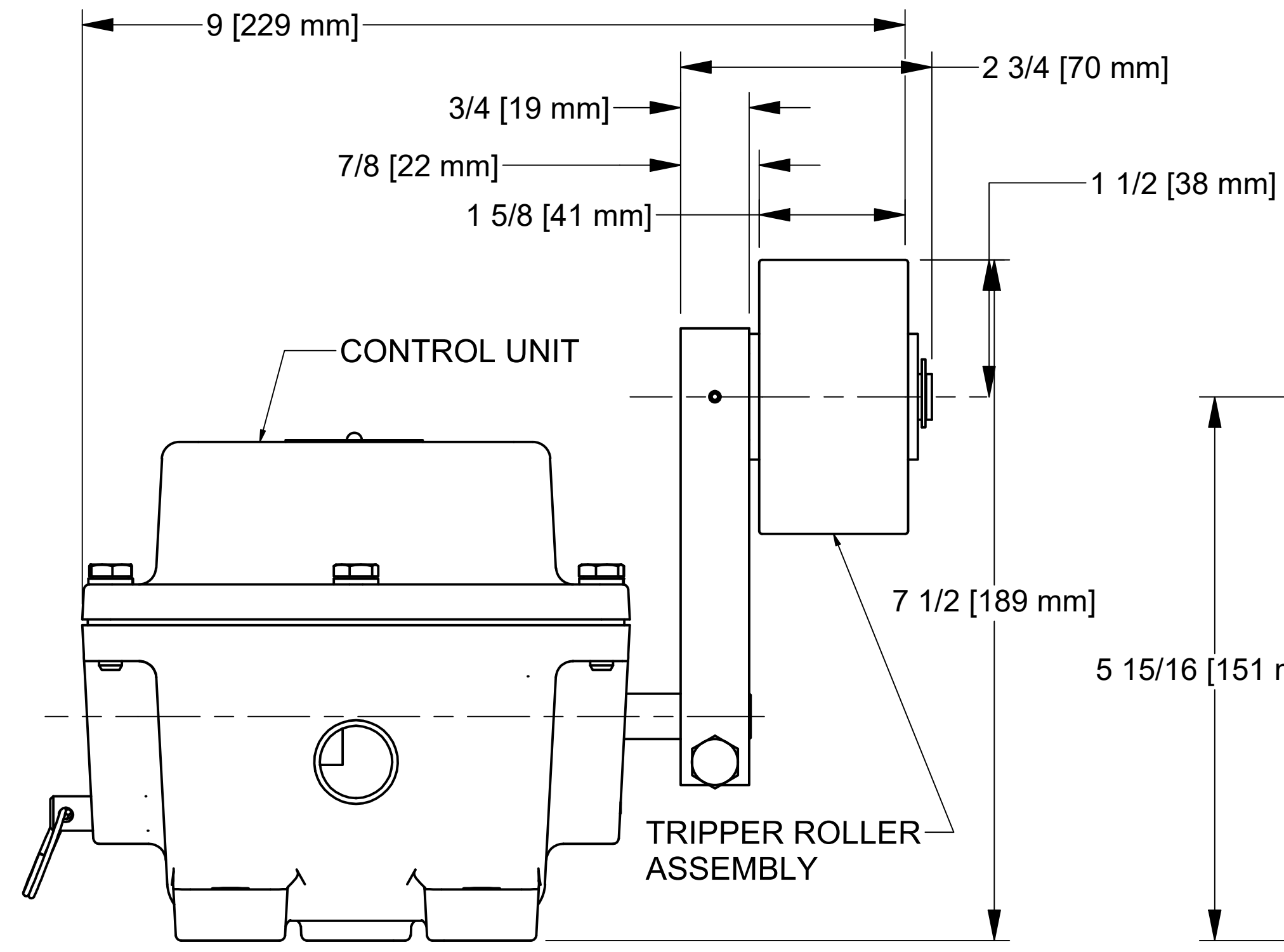
ELECTRICAL DATA



SP/DT CONTACT RATINGS:
20 A, 125/250/480 V AC
10 A, 125 V AC INDUCTIVE
1 HP, 125 V AC; 2 HP, 250 V AC
1/2 A, 125 V DC; 1/4 A, 250 V DC



DP/DT CONTACT RATINGS:
15 A, 125/250 V AC
3/4 HP, 125 V AC; 1-1/2 HP, 250 V AC



VIEW 1
SCALE 3/4

ALL DIMS FOR REFERENCE ONLY.
TYPE 4X ENCLOSURE.
EPOXY COATING AVAILABLE.

DRAWN	GL	10/10/2019	Conveyor Components Company 130 Seltzer Road Crosswell, Michigan, U.S.A., 48422
CHECKED	DLG	11/6/2019	
APPROVED	DLG	11/6/2019	TITLE
PART			TRIPPER ROLLER CONTROL W/ MANUAL RESET PRODUCT DRAWING
THIS PRINT IS PROPERTY OF CONVEYOR COMPONENTS CO., AND MAY NOT BE USED IN WHOLE OR PART WITHOUT WRITTEN PERMISSION.			Drawing is computer generated, and print might not be to scale SIZE: D DWG NO: D1030042.dwg SCALE: SHEET 1 OF 1