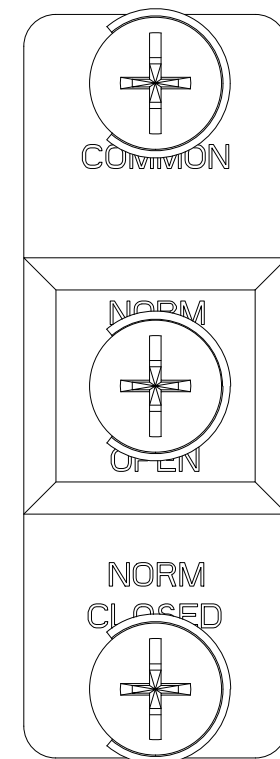


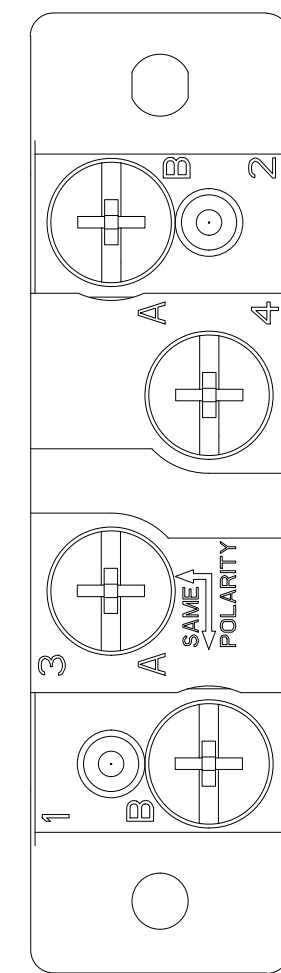
REV	ECO	DESCRIPTION	DATE	BY	APP
		INITIAL RELEASE	11/1/2010	GL	

COMMON



NORMALLY OPEN

NORMALLY CLOSED



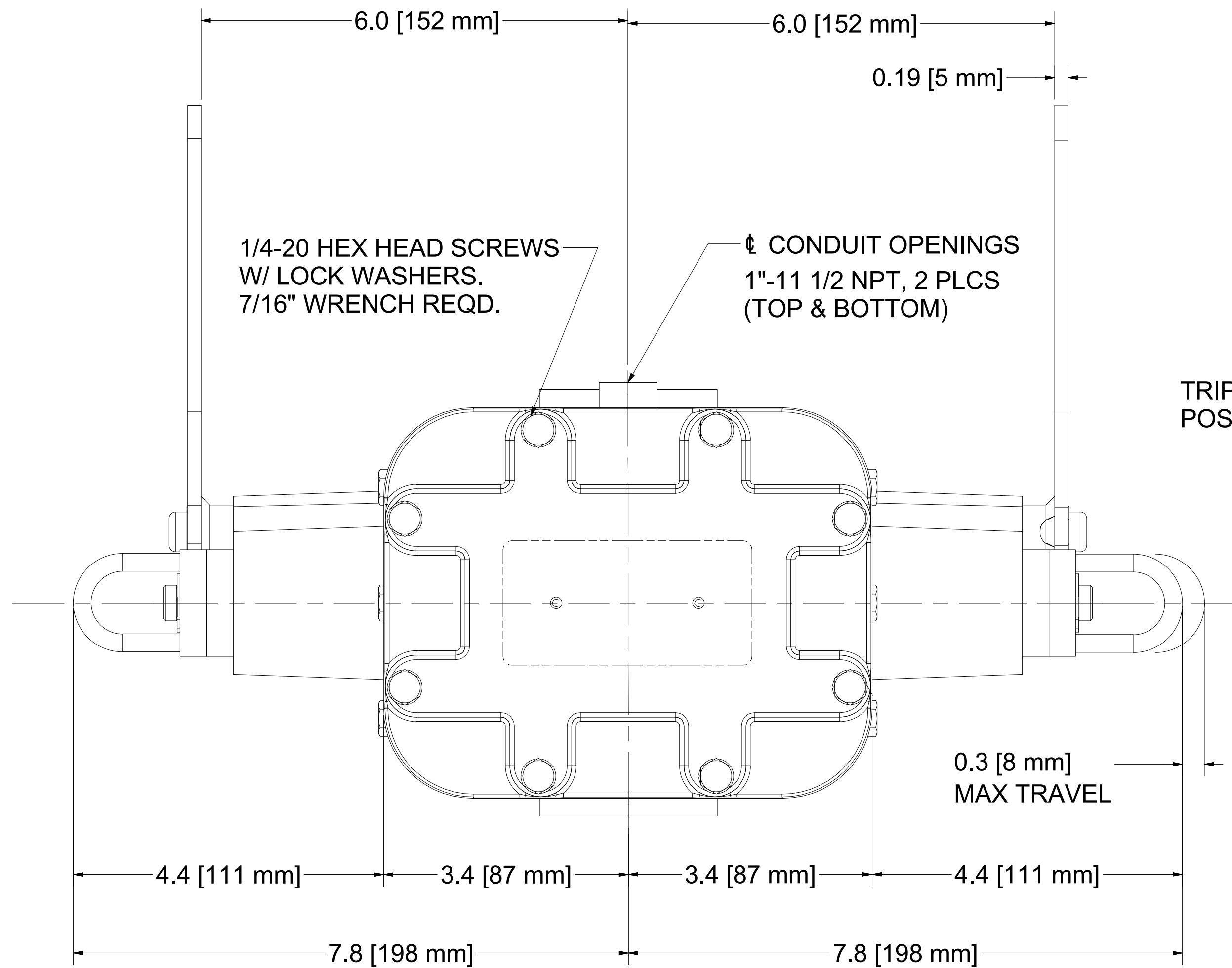
CONTACTS: TCDB  
(TWO-CIRCUIT DOUBLE BREAK):  
1 SAME POLARITY AS 3.  
1 - 2: NORMALLY OPEN  
3 - 4: NORMALLY CLOSED

PCL-1S; PCL-2S  
PCL-1T; PCL-2T

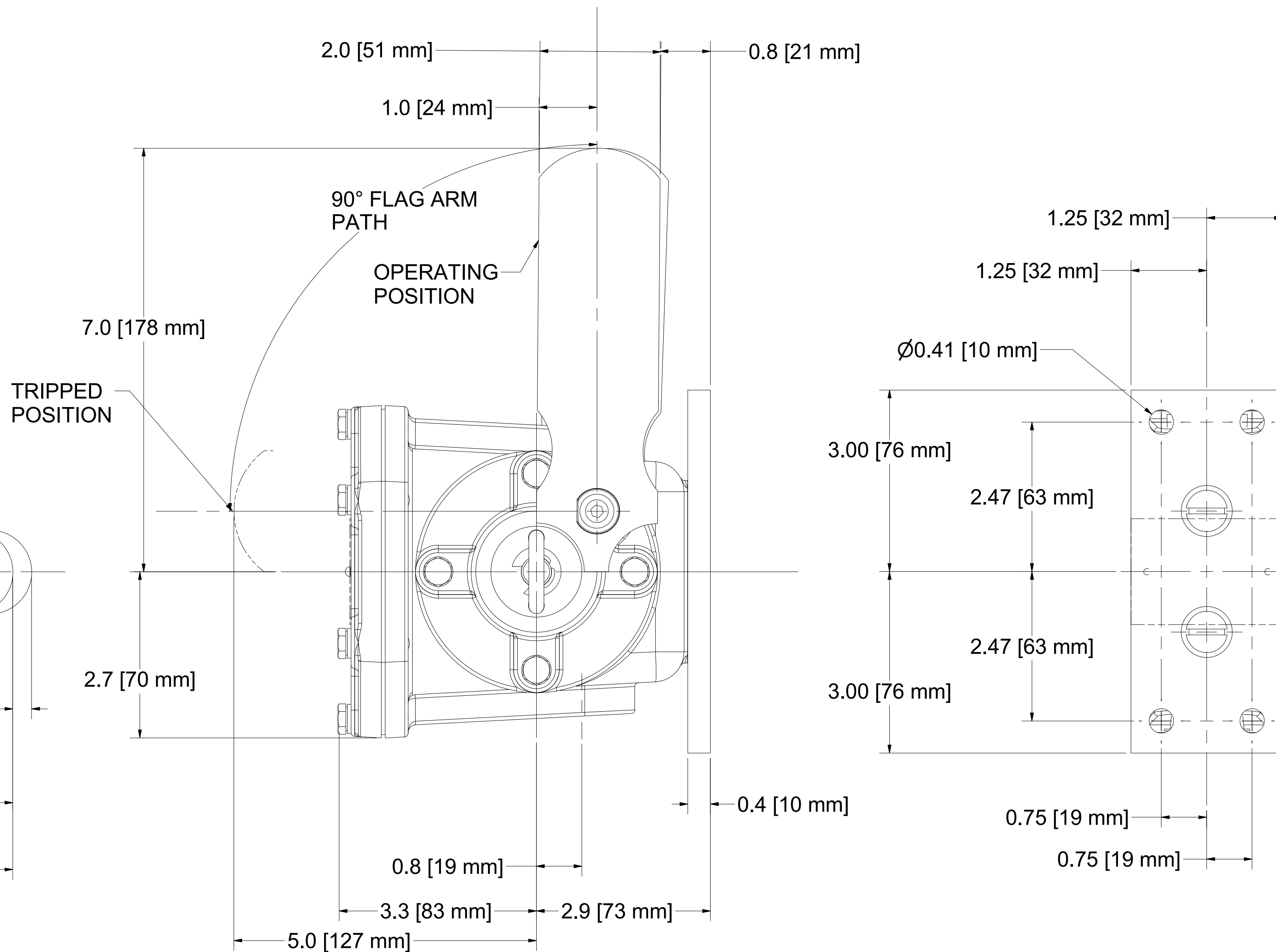
PCD-2S; PCD-4S  
PCD-2T; PCD-4T  
PC CONFIGURATIONS

PCR-1S; PCR-2S  
PCR-1T; PCR-2T

SP/DT MICRO-SWITCH TCDB MICRO-SWITCH  
-S MODELS -T MODELS  
SCALE 2 : 1 SCALE 2 : 1



VIEW 1  
SCALE .75 : 1



MODELS PCD-4S, PCD-2S, PCD-4T OR PCD-2T SHOWN.  
ALL DIMS FOR REFERENCE.  
APPROX. 16 LB PULL PER SIDE STANDARD.  
APPROX. 24 LB PULL OPTIONAL PER ORDER.

ENCLOSURE RATED:  
UL: Types 3, 4, 4X  
CSA: Encl 3, 3S, 4

DRAWN GL	10/4/2011	 Conveyor Components Company 130 Seltzer Road Croswell, Michigan, U.S.A., 48422
CHECKED		
APPROVED JK	10/4/2011	TITLE
PART		<b>RAIN TIGHT PC SERIES</b>
THIS PRINT IS PROPERTY OF CONVEYOR COMPONENTS CO., AND MAY NOT BE USED IN WHOLE OR PART WITHOUT WRITTEN PERMISSION.		Drawing is computer generated, and print might not be to scale SIZE D DWG NO D0590068.dwg SCALE
		REV SHEET 1 OF 1