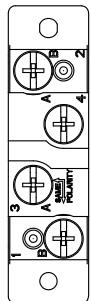
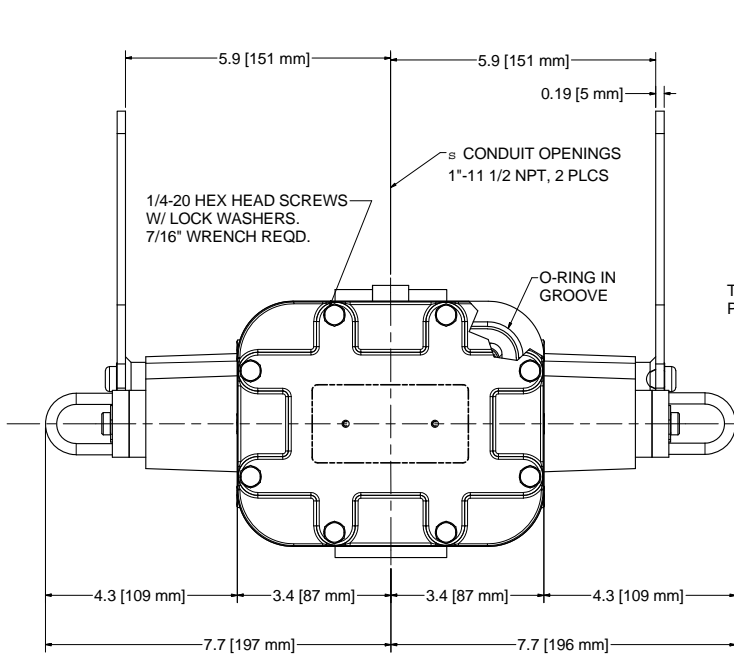
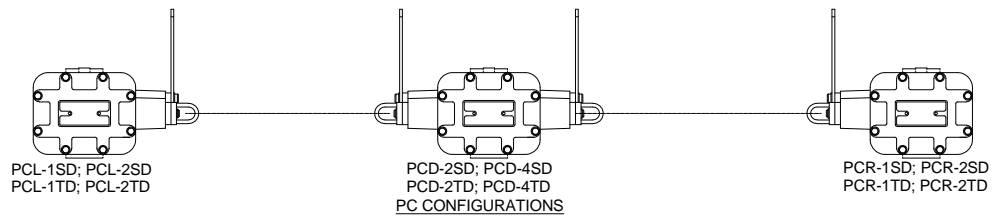


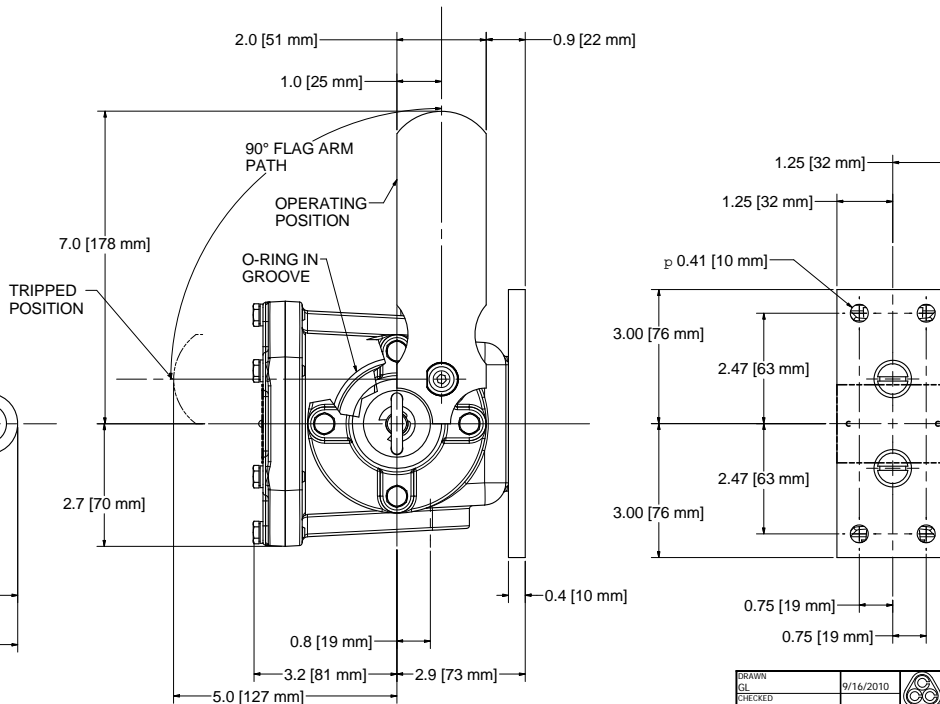
SP/DT MICRO-SWITCH -S MODELS SCALE 2 : 1  
 TCDB MICRO-SWITCH -T MODELS SCALE 2 : 1



CONTACTS: TCDB  
 (TWO-CIRCUIT DOUBLE BREAK):  
 1 SAME POLARITY AS 3.  
 1 - 2: NORMALLY OPEN  
 3 - 4: NORMALLY CLOSED



VIEW 1  
 SCALE .75 : 1



MODEL PCD-4SD SHOWN.  
 APPROX. 16 LB PULL PER SIDE STANDARD.  
 APPROX. 24 LB PULL OPTIONAL PER ORDER.

ENCLOSURE MADE TO TYPE 4, 4X,  
 TYPE 9: CLASS II, GROUPS E, F & G.

DRAWN GL	9/16/2010	 Conveyor Components Company 130 Schlar Road Crosswile, Michigan, U.S.A., 48422
CHECKED JK	9/20/2010	
APPROVED JK		TITLE PC-D DUAL TYPE ENCLOSURE PRODUCT DRAWING
THIS PRINT IS PROPERTY OF CONVEYOR COMPONENTS CO. AND MAY NOT BE USED IN WHOLE OR PART WITHOUT WRITTEN PERMISSION.		Drawing is computer generated, and print might not be to scale. SIZE: D DWG NO: D0590067.dwg REV:
SCALE		SHEET 1 OF 1