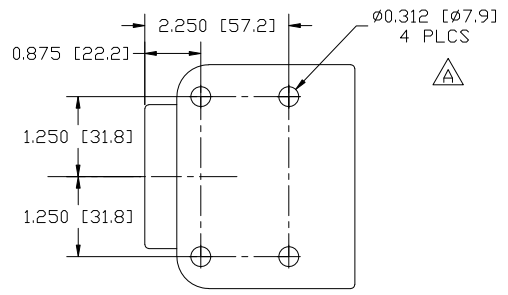
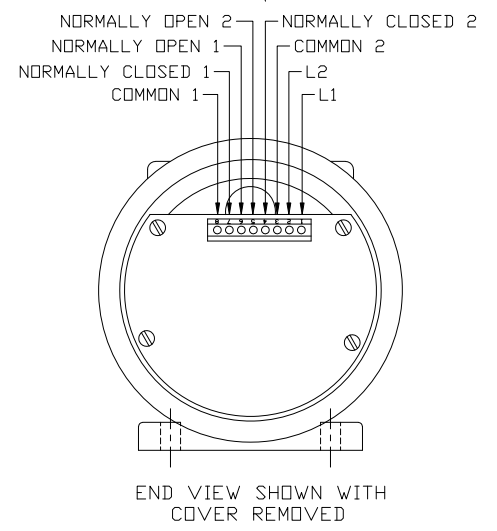
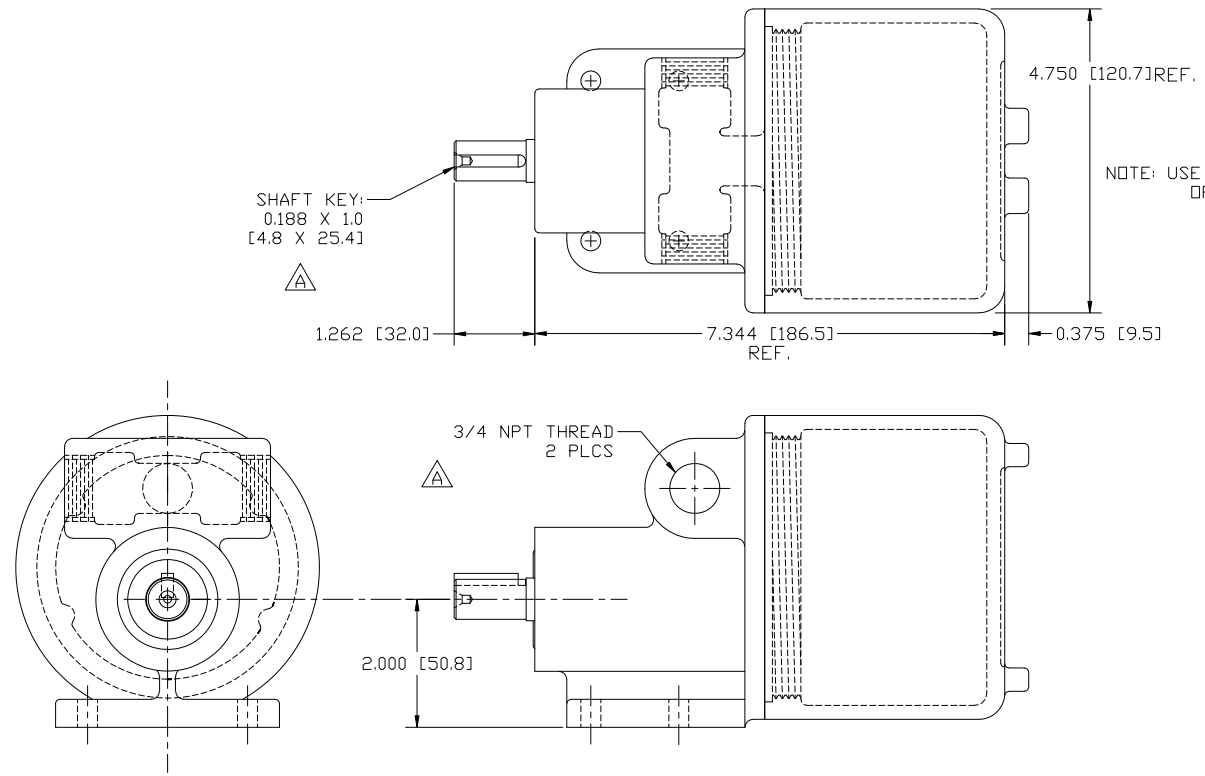


DWG. NO. D0200107		SHT. 1-1	REV. A
REVISIONS			
REV.	E.C.B.	DESCRIPTION	DATE
A	0332c	ADD KEY, HOLE NOTES, LINES	6/11/19
		BY	APP'D
		GL	DLG



ALL DIMS IN [ ] ARE IN MM.

THIS DRAWING IS COMPUTER GENERATED.			
DWN	GL	DATE	CONVEYOR COMPONENTS CO.
CKD		DATE	130 SELTZER RD, CROSWELL, MI 48422
APD	JK	DATE	CMS PRODUCT DRAWING
THIS PRINT IS THE PROPERTY OF CONVEYOR COMPONENTS CO. AND MUST NOT BE USED IN WHOLE, OR PART WITHOUT WRITTEN PERMISSION.			
PART NO.		DWG. NO.	REV.
		D0200107	A
PLEASE RETURN ON DEMAND.		SCALE	SIZE
		FULL	D
			SHT. 1-1

DWG. NO. D0200107  
SHT. 1-1  
REV. A