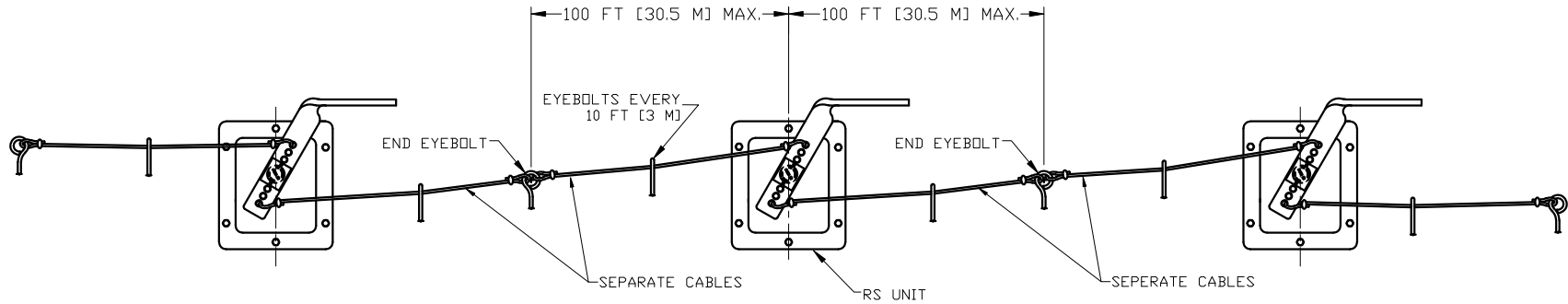



REVISIONS					
REV.	E.C.O.	DESCRIPTION	DATE	BY	APP'D
-	----	-	-/-/-	-	----



NOT TO SCALE. LAYOUT SHOWN
CONDENSED FOR CLARITY.

 CONVEYOR COMPONENTS COMPANY DIVISION OF MATERIAL CONTROL, INC. 130 SELTZER RD., CROSWELL, MICH. 48422		THIS DRAWING WAS COMPUTER GENERATED IN FULL SCALE	
		<i>THIS PRINT HAS NO SCALE & SHOULD NOT BE SCALED</i>	
DRAWN GL 10/30/2014 CHECK --- --/--/-- APPR. DLG 11/4/2014	RS AND CABLE LAYOUT		
<small>THIS PRINT IS THE PROPERTY OF CONVEYOR COMPONENTS COMPANY AND MUST NOT BE USED IN WHOLE OR PART WITHOUT WRITTEN PERMISSION. PLEASE RETURN ON DEMAND.</small>	PART NO. -----	DWG NO. D0170144	REV. ---