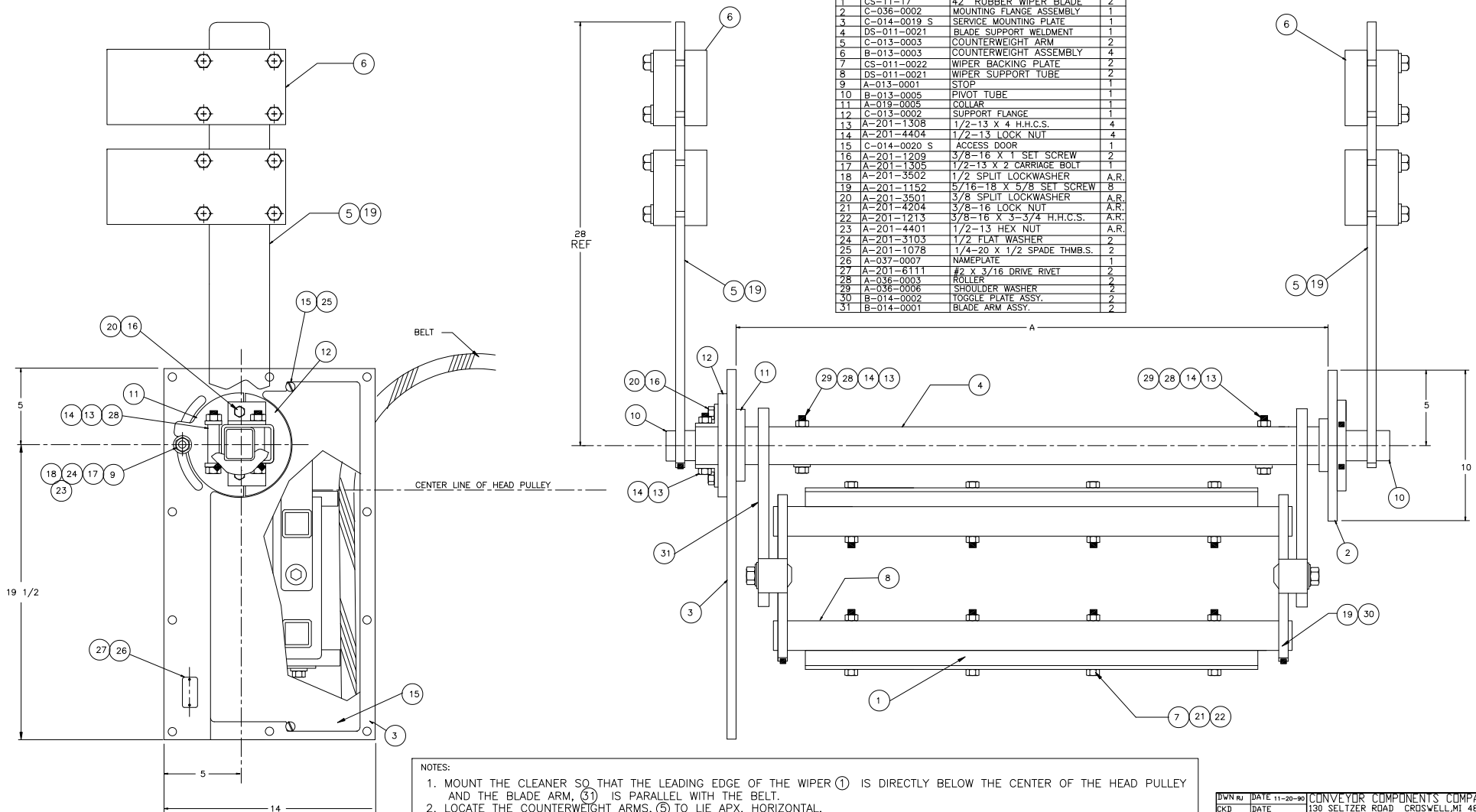


REVISIONS			
REV. CD. NO.	DESCRIPTION	BY	APP'D DATE

\*BW DENOTES BELT WIDTH

DET.	PART NO.	DESCRIPTION	QTY.
1	CS-11-17	42" RUBBER WIPER BLADE	2
2	C-036-0002	MOUNTING FLANGE ASSEMBLY	1
3	C-014-0019 S	SERVICE MOUNTING PLATE	1
4	DS-011-0021	BLADE SUPPORT WELDMENT	1
5	C-013-0003	COUNTERWEIGHT ARM	2
6	B-013-0003	COUNTERWEIGHT ASSEMBLY	4
7	CS-011-0022	WIPER BACKING PLATE	2
8	DS-011-0021	WIPER SUPPORT TUBE	2
9	A-013-0001	STOP	1
10	B-013-0005	PIVOT TUBE	1
11	A-019-0005	COLLAR	1
12	C-013-0002	SUPPORT FLANGE	1
13	A-201-1308	1/2-13 X 4 H.H.C.S.	4
14	A-201-4404	1/2-13 LOCK NUT	4
15	C-014-0020 S	ACCESS DOOR	1
16	A-201-1209	3/8-16 X 1 SET SCREW	2
17	A-201-1305	1/2-13 X 2 CARRIAGE BOLT	1
18	A-201-3502	1/2 SPLIT LOCKWASHER	A.R.
19	A-201-1152	5/16-18 X 5/8 SET SCREW	8
20	A-201-3501	3/8 SPLIT LOCKWASHER	A.R.
21	A-201-4204	3/8-16 LOCK NUT	A.R.
22	A-201-1213	3/8-16 X 3-3/4 H.H.C.S.	A.R.
23	A-201-4401	1/2-13 HEX NUT	A.R.
24	A-201-3103	1/2 FLAT WASHER	2
25	A-201-1078	1/4-20 X 1/2 SPADE THMB.S.	2
26	A-037-0007	NAMEPLATE	1
27	A-201-6111	#2 X 3/16 DRIVE RIVET	2
28	A-036-0003	ROLLER	2
29	A-036-0006	SHOULDER WASHER	2
30	B-014-0002	TOGGLE PLATE ASSY.	2
31	B-014-0001	BLADE ARM ASSY.	2



- NOTES:
1. MOUNT THE CLEANER SO THAT THE LEADING EDGE OF THE WIPER (1) IS DIRECTLY BELOW THE CENTER OF THE HEAD PULLEY AND THE BLADE ARM, (31) IS PARALLEL WITH THE BELT.
  2. LOCATE THE COUNTERWEIGHT ARMS, (5) TO LIE APX. HORIZONTAL.
  3. SLIDE COUNTERWEIGHT (6) ONTO ARMS AND POSITION FOR MOST EFFECTIVE CLEANING
  4. LOCATE THE STOP (9), TO PREVENT THE WIPER SUPPORT FROM CONTACTING THE BELT AS THE WIPER WEARS.

DWN RJ	DATE 11-20-90	CONVEYOR COMPONENTS COMPANY
CKD	DATE	130 SELTZER ROAD CROSWELL, MI 48060
APD JK	DATE 11-20-90	COUNTERWEIGHT BELT CLEANER
THIS PRINT IS THE PROPERTY OF CONVEYOR COMPONENTS CO. AND MUST BE USED IN FULL. NO PARTS TO BE REPRODUCED WITHOUT WRITTEN PERMISSION. PLEASE RETURN OR SCRAP.		PART NO. CWD-ACCESS DOOR
MODEL CWD	DWGNO. D-014-0013S	REV
SCALE NONE	SHT.	