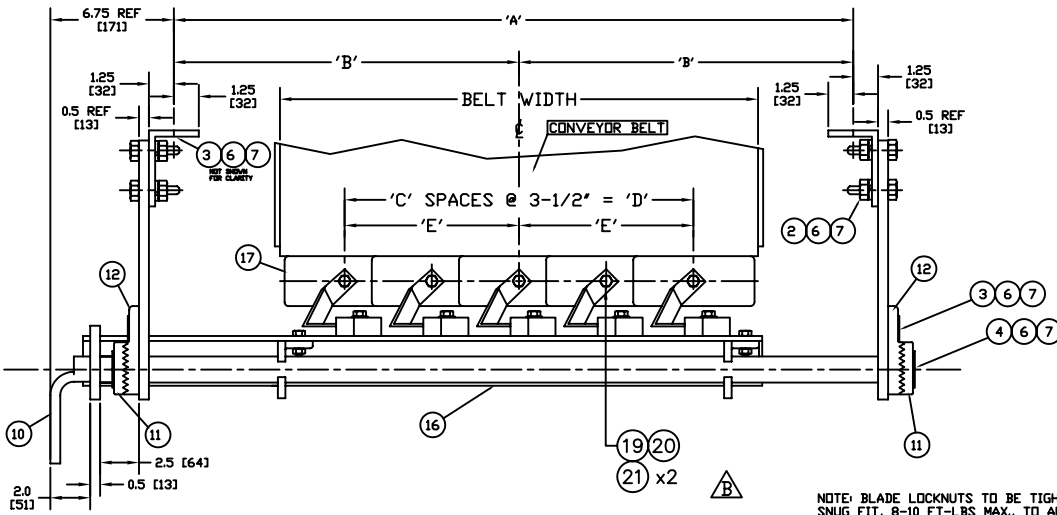
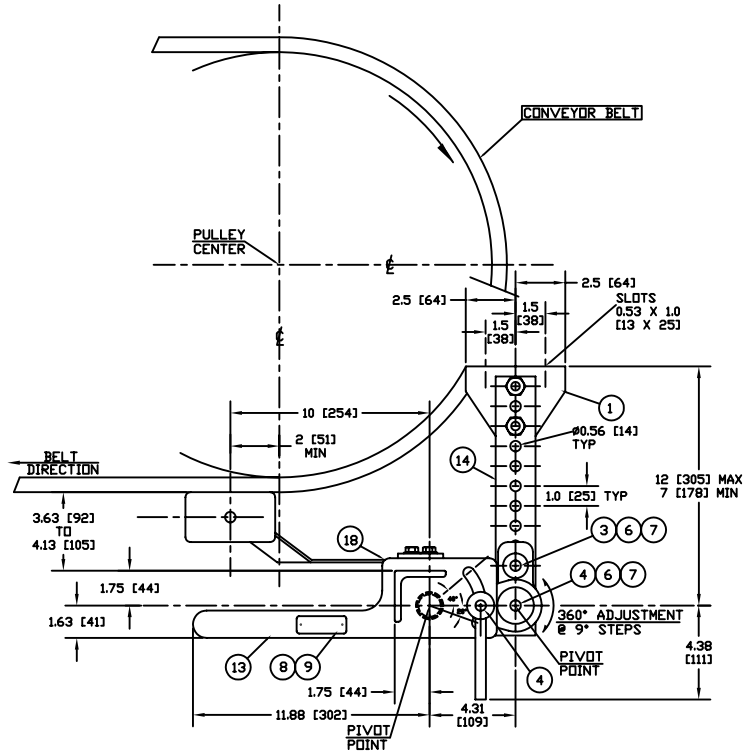


DWG. NO.	D0120022	SHT.	REV.
REVISIONS			
REV.	E.C.D.	DESCRIPTION	DATE
B	2099	UPDATE PARTS LISTS	06/08/04
BY	GL	APP'D	JK



NOTE: BLADE LOCKNUTS TO BE TIGHTENED TO JUST SNUG FIT, 8-10 FT-LBS MAX., TO ALLOW BLADES TO PIVOT AND CONFORM TO BELT CONTOUR DURING USE. ALL DIMS IN \square ARE IN MILLIMETERS.

DESCRIPTION	BLADE OPTIONS			
	OPTION CODE	PART	DWG	FASTENER
STAINLESS STEEL	S	FA-16	A0120006	22011201 3/8-16 X 1 HHCS Z/P
RUBBER	R	FA-17	B0120006	22011203 3/8-16 X 1-3/4 HHCS Z/P
STANDARD SPRING STEEL	H	FA-18	A0120004	22011201 3/8-16 X 1 HHCS Z/P
CERAMIC WITH HOLDER	C	FA-20	A0160015	22011203 3/8-16 X 1-3/4 HHCS Z/P
NICKEL COATED STAINLESS	N	FA-21	A0120005	22011201 3/8-16 X 1 HHCS Z/P
URETHANE WITH HOLDER	U	FA-23	A0190014	22011203 3/8-16 X 1-3/4 HHCS Z/P
TUNGSTEN CARBIDE	T	FA-24	A0190036	22011201 3/8-16 X 1 HHCS Z/P

DIMENSION & QUANTITY TABLE												
BELT WIDTH	'A'		'B'		'C'	'D'	'E'	QUANTITY RH BLADE SUPPORT ASSY.				
	MIN	MAX	MIN	MAX				'F'	'G'	'H'	ANGLE	TUBE
12 [305]	17 [432]	33 [838]	8.5 [216]	16.5 [419]	2 [51]	7 [178]	3.5 [89]	3	6	20120093	30 [762]	36 [914]
16 [406]	21 [533]	37 [940]	10.5 [267]	18.5 [470]	3 [76.2]	10.5 [267]	5.25 [133]	4	8	20120102	34 [864]	40 [1016]
18 [457]	23 [584]	39 [991]	11.5 [292]	19.5 [495]	3 [76.2]	10.5 [267]	5.25 [133]	4	8	20120103	36 [914]	42 [1067]
20 [508]	25 [635]	41 [1041]	12.5 [318]	20.5 [521]	4 [102]	14 [356]	7 [178]	5	10	20120104	38 [965]	44 [1118]
24 [610]	29 [737]	45 [1143]	14.5 [368]	22.5 [572]	5 [127]	17.5 [445]	8.75 [222]	6	12	20120105	42 [1067]	48 [1219]
30 [762]	35 [889]	51 [1295]	17.5 [445]	25.5 [648]	7 [178]	24.5 [622]	12.25 [311]	8	16	20120106	48 [1219]	54 [1372]
36 [914]	41 [1041]	57 [1448]	20.5 [521]	28.5 [724]	8 [203]	28 [711]	14 [356]	9	18	20120107	54 [1372]	60 [1524]
42 [1067]	47 [1194]	63 [1600]	23.5 [597]	31.5 [800]	10 [254]	35 [889]	17.5 [445]	11	22	20120108	60 [1524]	66 [1676]
48 [1219]	53 [1346]	69 [1753]	26.5 [673]	34.5 [876]	11 [279]	38.5 [978]	19.25 [489]	12	24	20120109	66 [1676]	72 [1829]
54 [1372]	59 [1499]	75 [1905]	29.5 [749]	37.5 [953]	13 [330]	45.5 [1156]	22.75 [578]	14	28	20120110	72 [1829]	78 [1981]
60 [1524]	65 [1651]	81 [2057]	32.5 [836]	40.5 [1029]	15 [381]	52.5 [1334]	26.25 [667]	16	32	20120111	78 [1981]	84 [2134]
72 [1829]	77 [1956]	93 [2362]	38.5 [978]	46.5 [1181]	18 [457]	63 [1600]	31.5 [800]	19	38	20120112	90 [2286]	96 [2438]

21	22013102	---	---	3/8 FLATWASHER Z/P	6
20	---	---	---	N	1
19	22014203	---	---	3/8-16 LOCKNUT N/T Z/P	1
18	22011150	---	---	5/16-18 X 5/8 SET SCREW Z/P	1
17	H	K	D0120022	BLADE	1
16	H	K	D0120022	FA RH BLADE SUPPORT ASSY.	1
15	20120047	CS120013	---	FA TUBE HOLDER	1
14	20120037	B0120007	---	HANGER BAR	2
13	20120036	B0120023	---	ADJUSTMENT HANDLE	1
12	20120038	B0120021	---	LOCKPLATE	2
11	20120038	B0120013	---	FA TUBE HOLDER W/ BOLT	1
10	20120032	B0120012	---	LOCK HANDLE	1
9	20137000	A0370007	---	NAMER/LATE	1
8	2201610	---	---	1/2 X 1 1/4 DRIVE RIVET SST	2
7	2201440	---	---	1/2-13 HEX NUT Z/P	12
6	22013102	---	---	1/2 LOCKWASHER Z/P	12
5	22013103	---	---	1/2 FLATWASHER Z/P	12
4	22013104	---	---	1/2-13 X 3 HHCS Z/P	2
3	22013102	---	---	1/2-13 X 2 HHCS Z/P	6
2	2001301	---	---	1/2-13 X 1 1/2 HHCS Z/P	4
1	20120001	A0120001	---	HANGER BRACKET	2
	NET PART	DWG	DESCRIPTION		QTY

THIS DRAWING IS COMPUTER GENERATED.
 CONVEYOR COMPONENTS CO.
 130 SELTZER RD, CROSWELL, MI 48422

FA RIGHT HAND SPRING BELT CLEANER

THIS PRINT IS THE PROPERTY OF CONVEYOR COMPONENTS CO. AND MUST NOT BE USED IN WHOLE, OR PART WITHOUT WRITTEN PERMISSION.

PLEASE RETURN ON DEMAND. SCALE N.A.

REV. B

SHT. 1-1

DWG. NO. D0120022