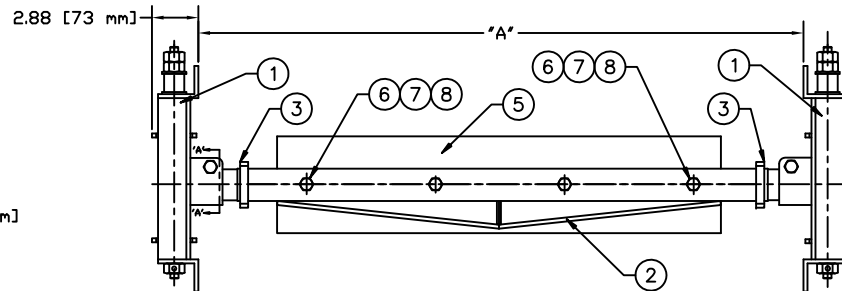
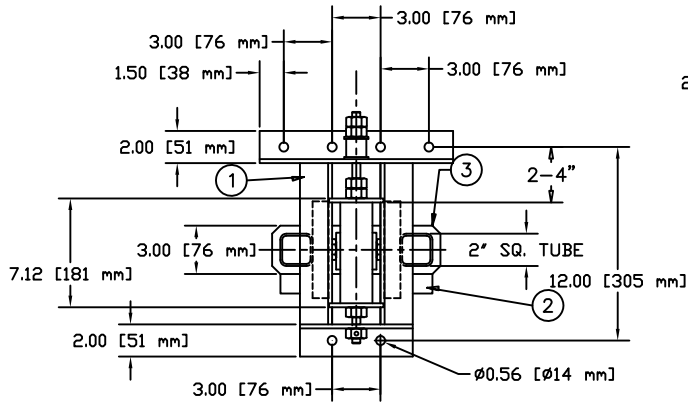
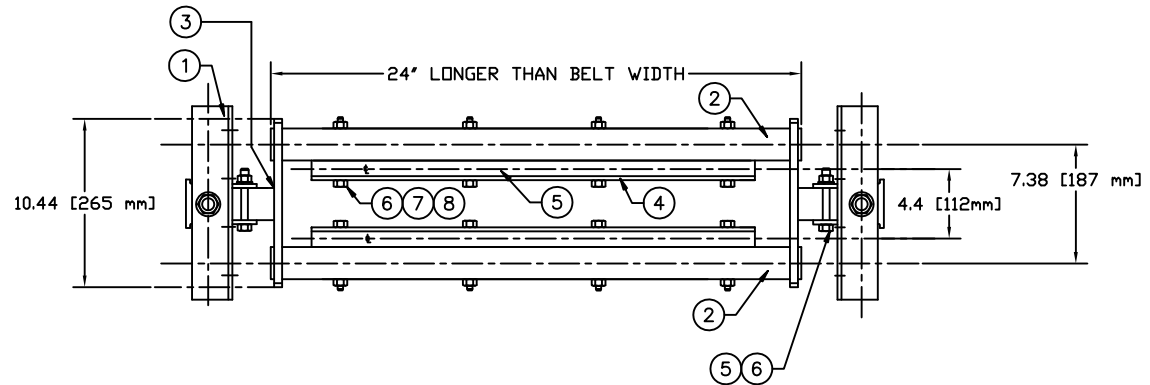
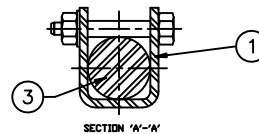


DWG. NO. D0100082		SHT. REV.	
REVISIONS			
REV.	E.C.D.	DESCRIPTION	DATE BY APP'D
-	-	-	-



DIMENSION TABLE: IN [mm]					
BELT WIDTH	"A"				
	MAX.		MIN.		
12	305	35	889	15	381
18	457	41	1041	21	533
24	610	47	1194	27	686
30	762	53	1346	33	838
36	914	59	1499	39	991
42	1067	65	1651	45	1143
48	1219	71	1803	51	1372
54	1372	77	1956	57	1448
60	1524	83	2108	63	1600
66	1676	89	2261	69	1753
72	1829	95	2413	75	1905

ALL DIMENSIONS FOR REFERENCE ONLY.



DET	DWG. NO.	DESCRIPTION	QTY.
1		SIDE FRAME ASSEMBLY	2
2	DS-11-21	TUBE	2
3		TOGGLE PLATE WELDMENT	2
4	CS-11-22	BACKING BAR	2
5	CS-11-17	WIPER BLADE	2
6		3/8-16 SPLIT LOCKWASHER	A.R.
7		3/8-16x4 HEX HEAD BOLT	A.R.
8		3/8-16 HEX NUT	A.R.

THIS DRAWING IS COMPUTER GENERATED.			
DWN	GL	DATE	1/16/12
CRD		DATE	
APD	JK	DATE	01/17/2012
THIS PRINT IS THE PROPERTY OF CONVEYOR COMPONENTS CO. AND MUST NOT BE USED IN WHOLE, OR PART WITHOUT WRITTEN PERMISSION.			
PART NO. LP-SDC		DWG. NO. D0100082	REV.
SCALE NONE			SHT. 1-1

DWG. NO. D0100082 SHT. REV. 1