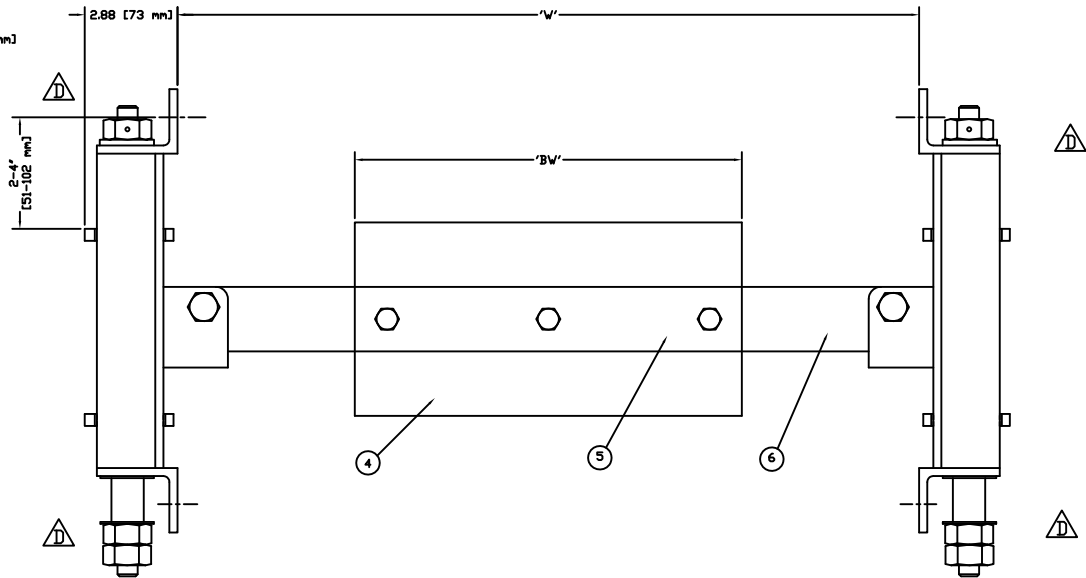
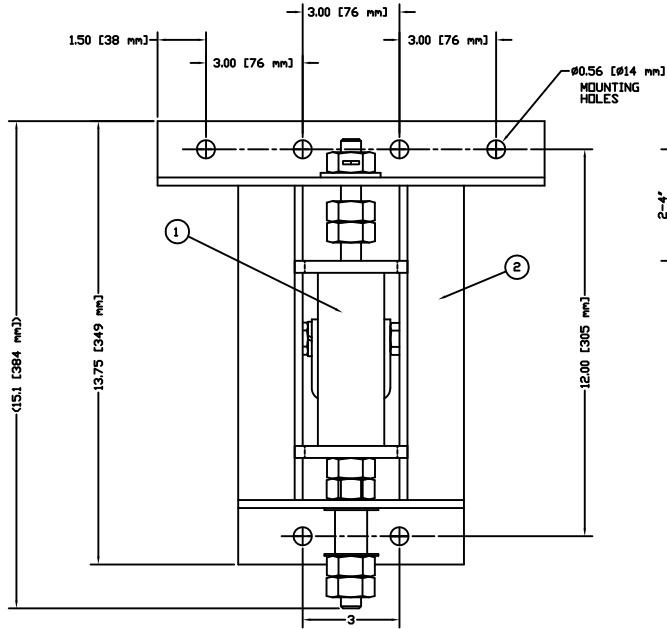


DWG. NO. D0100003		SMT. REV. 1			
REVISIONS					
REV.	E.C.D.	DESCRIPTION	DATE	BY	APP'D
D	2819	CHANGE ADJUSTER SCREW ORIENTATION	02/25/08	GL	JK



NOTE
FOR INSTALLATION INSTRUCTIONS
REFER TO DWG. D-010-0001

ASSEMBLY COMPONENTS				
ITEM	PART	DWG	DESCRIPTION	QTY
1	20100071	B0100032	SIDE FRAME ASSEMBLY 13 3/4 UNIT	2
2	'B'	CS110017	WIPER	1
3	'C'	CS110022	BACKING BAR	1
4	'A'	---	WIPER SUPPORT TUBE	1
5	22011212	---	3/8-16 X 4 HHCS Z/P	1
6	22014203	---	3/8-16 LOCKNUT N/I Z/P	1
7	20370001	A0370007	NAMEPLATE	1
8	22016101	---	#2 X 1/4 DRIVE RIVET SST	2

STANDARD MODELS	RATCHET MODELS	DIMENSION TABLE		QTY 'D'	PART 'A'	DWG 'E' (PART 'A')	PART 'B'	PART 'C'	
		'BW'	'W'						
LP-12SC	LP-12RC	12[305]	35[889]	15[381]	2	40110003	CS110035	VB-12	40110037
LP-16SC	LP-16RC	16[406]	39[991]	19[483]	2	40110005	CS110035	VB-16	40110039
LP-18SC	LP-18RC	18[457]	41[1041]	21[533]	3	40110006	CS110035	VB-18	40110040
LP-20SC	LP-20RC	20[508]	43[1092]	23[584]	3	40110007	CS110035	VB-20	40110041
LP-24SC	LP-24RC	24[610]	47[1194]	27[686]	3	40110008	CS110035	VB-24	40110042
LP-30SC	LP-30RC	30[762]	53[1346]	33[838]	4	40110009	DS110021	VB-30	40110043
LP-36SC	LP-36RC	36[914]	59[1499]	39[991]	4	40110010	DS110021	VB-36	40110044
LP-42SC	LP-42RC	42[1067]	65[1651]	45[1143]	5	40110011	DS110021	VB-42	40110045
LP-48SC	LP-48RC	48[1219]	71[1803]	51[1295]	5	40110012	DS110021	VB-48	40110046
LP-54SC	LP-54RC	54[1372]	77[1956]	57[1448]	6	40110013	DS110021	VB-54	40110047
LP-60SC	LP-60RC	60[1524]	83[2108]	63[1600]	6	40110014	DS110021	VB-60	40110048
LP-72SC	LP-72RC	72[1829]	95[2413]	75[1905]	7	40110015	DS110021	VB-72	40110049

THIS DRAWING IS COMPUTER GENERATED.
 DWG. NO. D0100003
 DATE 10/29/80
 130 SELTZER RD, CROSWELL, MI 48422
 MODEL LP-SC CLEANER: 13 3/4" OVERALL HEIGHT
 THIS PRINT IS THE PROPERTY OF CONVEYOR COMPONENTS CO. AND MUST NOT BE USED IN WHOLE, OR PART WITHOUT WRITTEN PERMISSION.
 PART NO. LP-SC DWG. NO. D0100003 REV. D
 PLEASE RETURN ON DEMAND. SCALE HALF SHT. 1-1

DWG. NO. D0100003 SMT. REV. 1