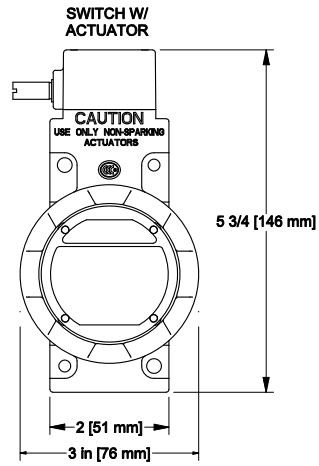
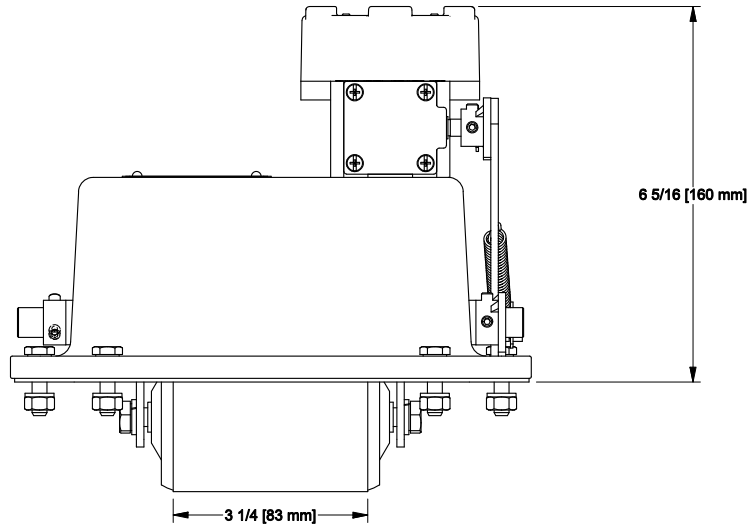
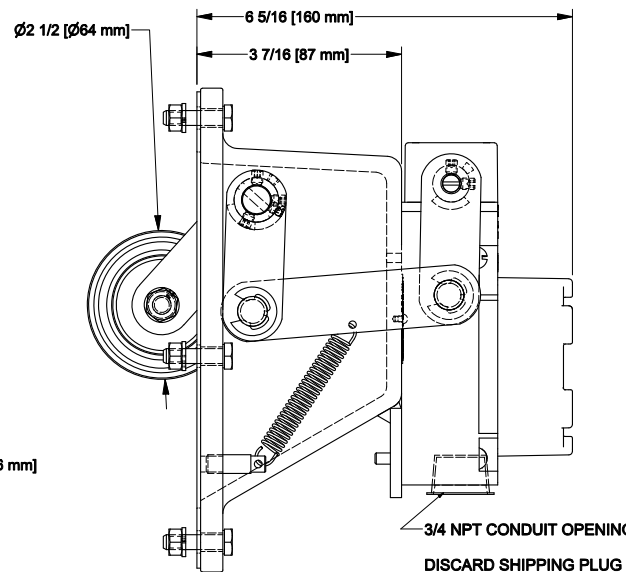
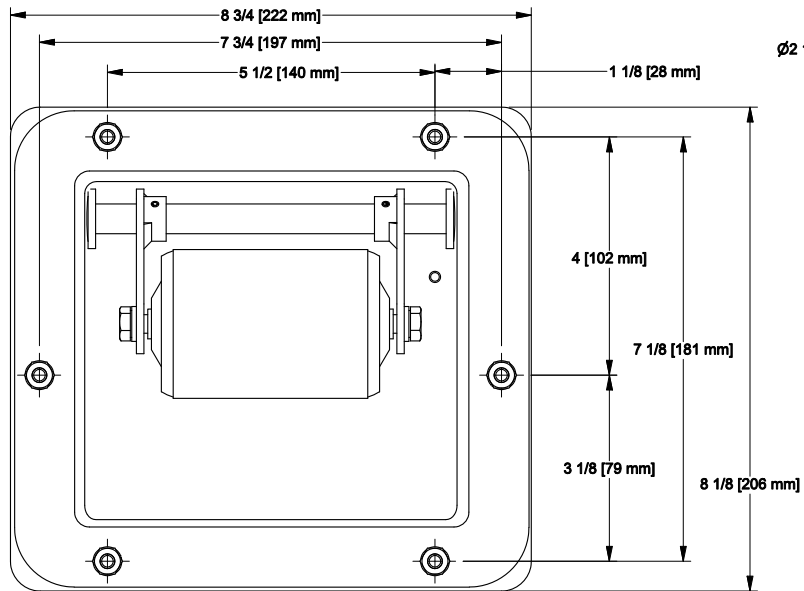


REV	ECO	DESCRIPTION	DATE	BY	APPD
A	0229c	NEW DRAWING	5/21/2020	LW	GL



3/32 HEX WRENCH INCLUDED



DISCARD SHIPPING PLUG WHEN WIRING.

DIMS SHOWN FOR REFERENCE ONLY.

DRAWN	5/21/2020	Conveyor Components Company Division of Material Control, Inc. 130 Seltzer Road, Crossville, Michigan 48722 U.S.A.		
CHECKED	5/22/2020			
APPROVED	5/22/2020			
GL		TITLE		
GL		MODEL VA-X: EXPLOSION PROOF BUCKET ELEVATOR ALIGNMENT CONTROL		
PART		Drawing is computer generated, and print might not be to scale		
THIS PRINT IS PROPERTY OF CONVEYOR COMPONENTS CO., AND MAY NOT BE USED IN WHOLE OR PART WITHOUT WRITTEN PERMISSION.		SIZE	DWG NO	REV
		D	D0060076.dwg	A
		SCALE	SHEET 1 of 1	