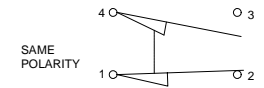
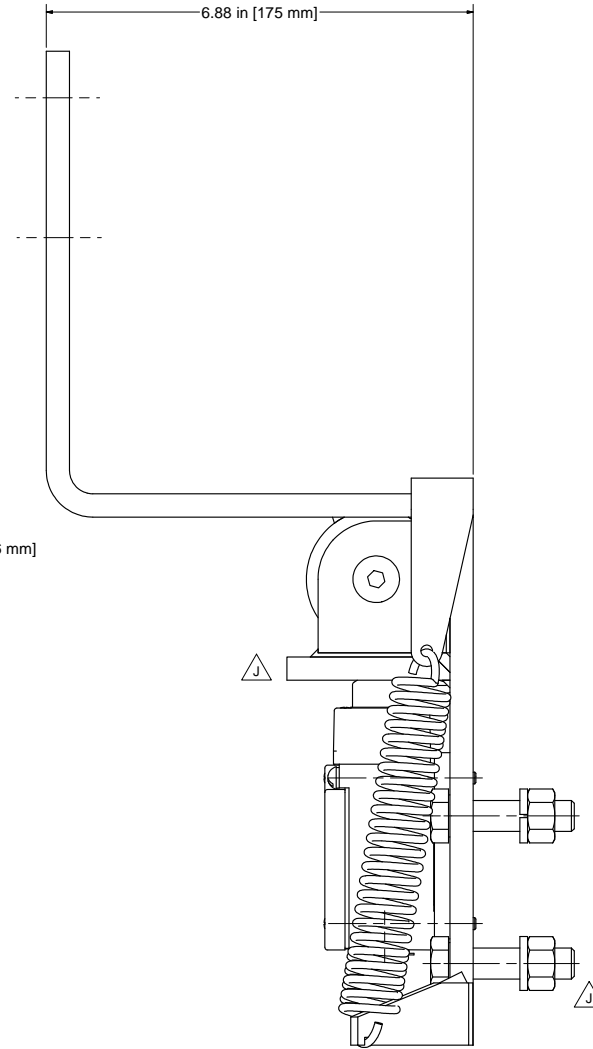
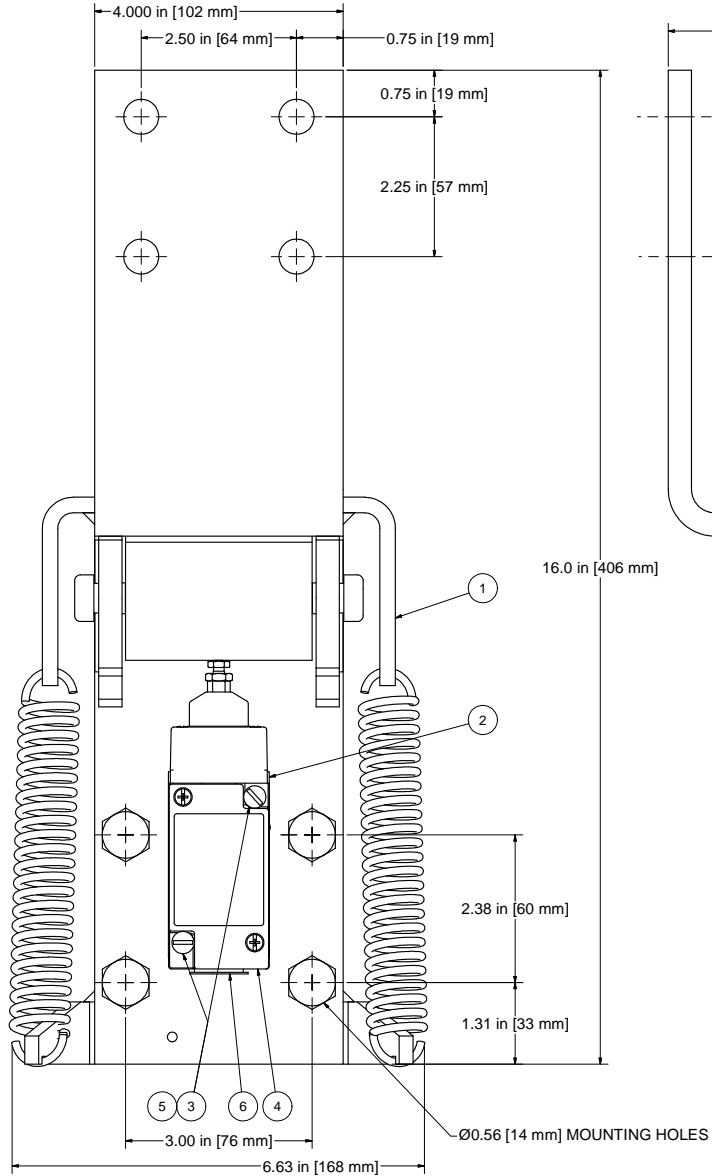


REV	ECO	DESCRIPTION	DATE	BY	APPD
J	3845	CHANGE TO BA-5X TYPE STANDARD	12/19/2012	IGL	JK



MICRO-SWITCH LSV2K:
 SPDT CONTACTS
 SNAP ACTION DOUBLE BREAK
 600 VAC MAX PILOT DUTY
 10 AMPS 600 VAC

120 VAC, 6 A
 600 VAC, 1.2 A
 125 VDC, 0.22 A
 250 VDC, 0.11 A

FOR USE IN ORDINARY (NON-HAZARDOUS) LOCATIONS ONLY!
 ALL DIMS FOR REFERENCE ONLY.

PARTS LIST					
ITEM	PART#	DWG	DESCRIPTION	I	QTY
1	BA-5	D0060028	Optional breakaway mounting for GP and XP units.	1	1
2	20060004	A0060013	SPACER	1	1
3	22011154		10-32 X 2-1/4 ROUND HEAD MACHINE SCREW Z/P	2	2
4	20061180		MICRO SWITCH NUMBER LS-V3K	1	1
5	20013430		#10 LOCKWASHER Z/P	2	2
6	22018512		#9 CAP PLUG - RED	1	1

DRAWN JK	4/8/1977	Conveyor Components Company Division of Material Control, Inc. 130 Seltzer Road, Croswell, Michigan 48422 U.S.A.	TITLE	REV
CHECKED JK	1/10/2013		OPTIONAL BREAKAWAY MOUNTING with SWITCH	J
APPROVED JK	4/8/1977		Drawing is computer generated, and print might not be to scale. SIZE D DWG NO D0060006.dwg MAY NOT BE USED IN WHOLE OR PART WITHOUT WRITTEN PERMISSION.	J
PART BA-55			SCALE	SHEET 1 of 1