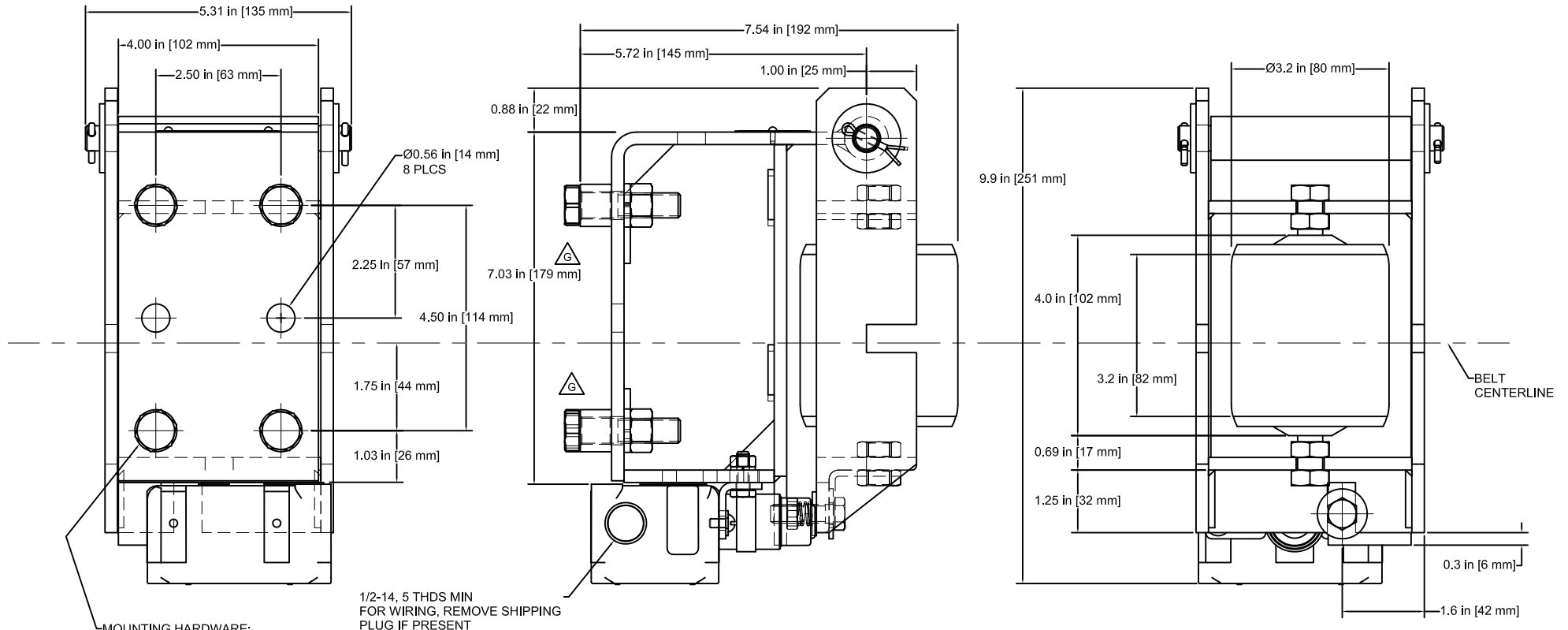


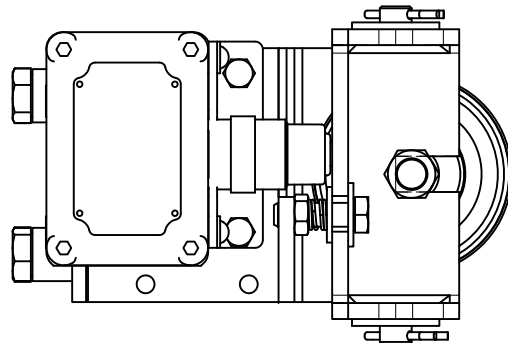
REV	ECO	DESCRIPTION	DATE	BY	APPD
G	B774	CHANGED MOUNTING SPACERS	11/20/2012	GL	JK



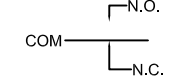
MOUNTING HARDWARE:
(4 EACH)

- 1/2-13 X 2 HEX HEAD CAP SCREW Z/P
- 1/2" LOCKWASHER Z/P
- 1/2-13 HEX NUT Z/P
- SPACER

1/2-14, 5 THDS MIN
FOR WIRING, REMOVE SHIPPING
PLUG IF PRESENT



MICRO SWITCH EX-N15
10 AMPS, 125, 250 OR 480 VAC
1/2 AMP, 125 VDC
1/4 AMP, 250 VDC



REFER TO BOM FOR PARTS LIST.
ALL DIMS ARE REFERENCE.

RECOMMENDED SPARE PARTS:
1 EA. SFRING 20066445

DRAWN CLO		12/4/1980	 Conveyor Components Company 130 Seltzer Road Crossville, Michigan, U.S.A., 48422
CHECKED JK		1/10/2013	
APPROVED JK		12/4/1980	TITLE MODEL BA-1X BELT ALIGNMENT CONTROL
PART BA-1X			Drawing is computer generated, and print might not be to scale
THIS PRINT IS PROPERTY OF CONVEYOR COMPONENTS CO., AND MAY NOT BE USED IN WHOLE OR PART WITHOUT WRITTEN PERMISSION.			REV G
SIZE D	DATE D0060005.dwg	SCALE	SHEET 1 of 1