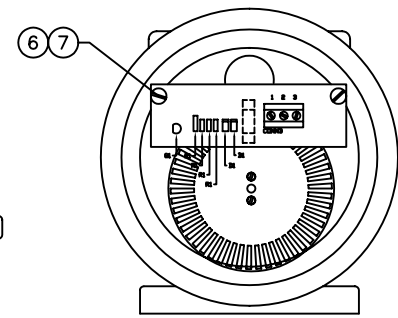
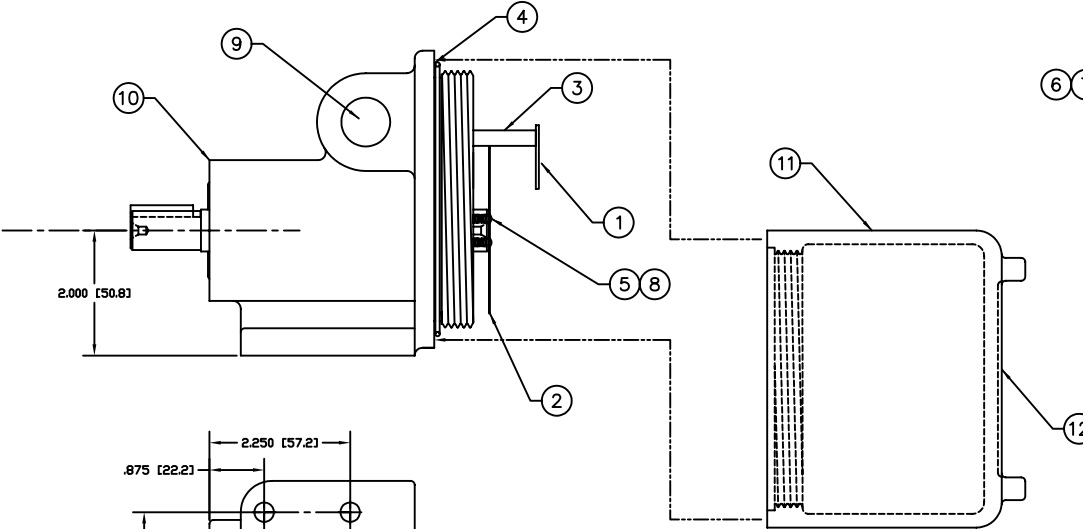
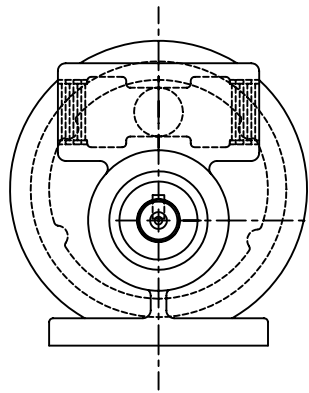
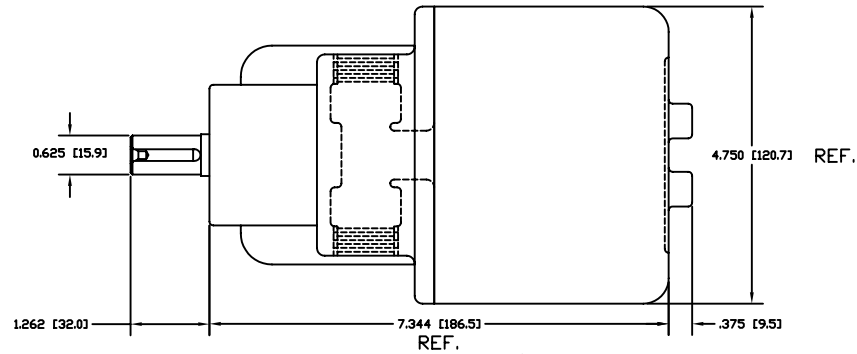
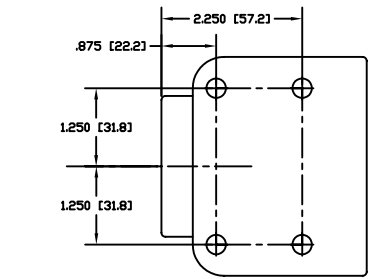


REVISIONS					
REV.	E.C.O.	DESCRIPTION	DATE	BY	APP'D
-	3052	NEW DRAWING; CHANGE #8 SCREW LENGTH	11/11	---	---



END VIEW SHOWN WITH COVER REMOVED



BASE PLATE DETAIL

ALL DIMS IN □ ARE IN MM.

12	20050177	A0050030	NAMEPLATE MSD-1X	1
11	20200124	D0200085	MACHINED (ALUM) COVER FOR CMS	1
10	20200118	D0020092	BASE ASSEMBLY FOR CMS-X ALUM.	1
9	22018508		#12 LPE RED CAP PLUG	2
8	20053407		#4 INT. TOOTH LOCKWASHER Z/P	2
7	20203408		#8 INT TOOTH LOCK WASHER Z/P	6
6	22011004		8-32 X 3/8" ROUND HEAD SCREW	2
5	20051082		4-40 X 5/16 RHMS Z/P	2
4	22011015		O-RING	1
3	22011003		#8 STANDOFFS X 1" LONG	2
2	20050179	A0050031	50 Segment Disk	1
1	20050173		Electronics Assy MSD Sensor	1
DET	PART	DWG	DESCRIPTION	QTY

CONVEYOR COMPONENTS COMPANY
 130 SELTZER RD., CROSWELL, MICH. 48422

THIS PRINT HAS NO SCALE & SHOULD NOT BE SCALED

DRAWN GL 03/18/08
 CHECK --- --/--/---
 APPR. JK 03/19/08

THIS DRAWING WAS COMPUTER GENERATED IN FULL SCALE
MSD-1X ASSEMBLY

THIS PRINT IS THE PROPERTY OF CONVEYOR COMPONENTS COMPANY AND MUST NOT BE USED IN WHOLE OR PART WITHOUT WRITTEN PERMISSION PLEASE RETURN ON DEMAND

PART NO. MSD-1X
 DWG NO. D0050053
 REV. ---