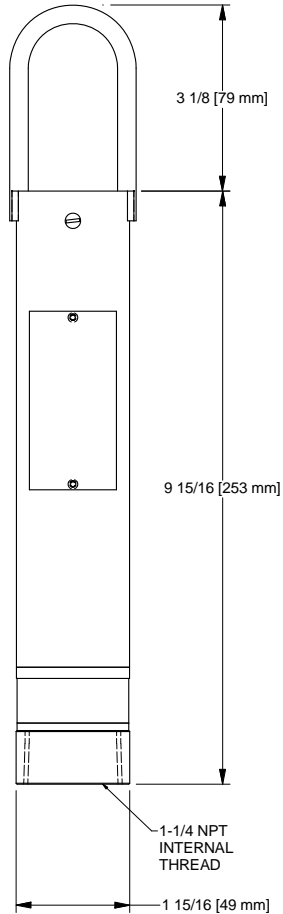
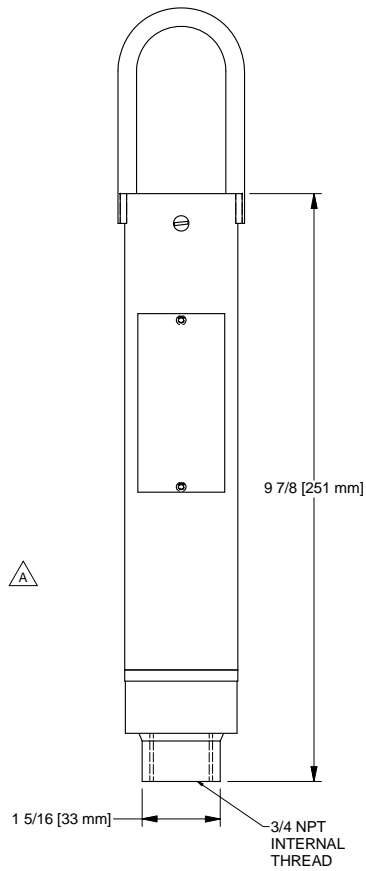


REV	ECO	DESCRIPTION	DATE	BY	APPD
A	0088c	UPDATE VIEWS	4/2/2015	GL	DLG

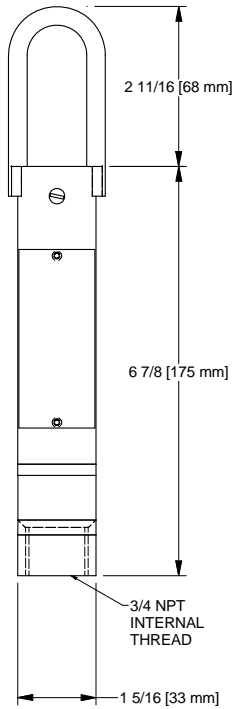
CT-201GC
PROBE



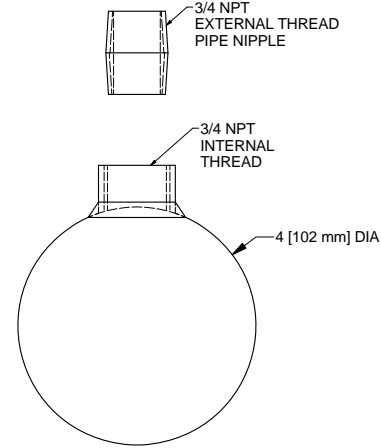
CT-201GC-3/4
PROBE



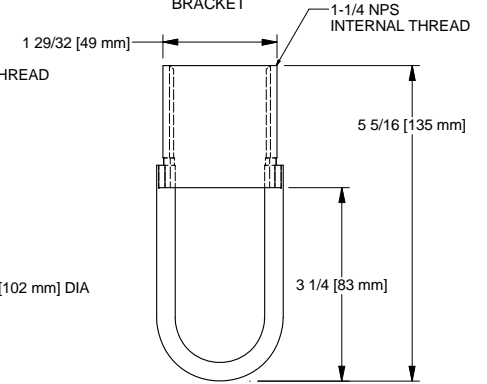
CT-200GC
PROBE



CT-600
FLOAT BALL



CT-400
MOUNTING
BRACKET



CT-500
S-HOOK

DIMENSIONS ARE FOR REFERENCE ONLY, AND ARE SUBJECT TO CHANGE WITHOUT NOTICE.

DRAWN	GL	7/18/2013	Conveyor Components Company Division of Material Control, Inc. 130 Seltzer Road, Crosswile, Michigan 48422 U.S.A.		
CHECKED	DLG	4/13/2015	TITLE		
APPROVED	JK	7/30/2013	CT-GC PROBE PRODUCT DRAWING		
PART	Drawing is computer generated, and print might not be to scale.				
THIS PRINT IS PROPERTY OF CONVEYOR COMPONENTS CO., AND MAY NOT BE USED IN WHOLE OR PART WITHOUT WRITTEN PERMISSION.		SIZE	DWG NO	REV	
		D	D0020079.dwg		
		SCALE	SHEET 1 OF 1		