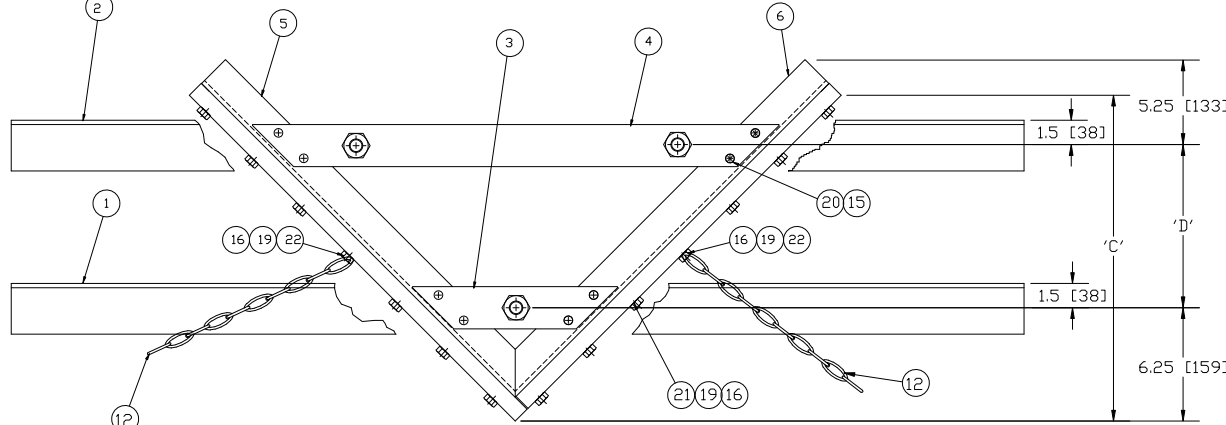


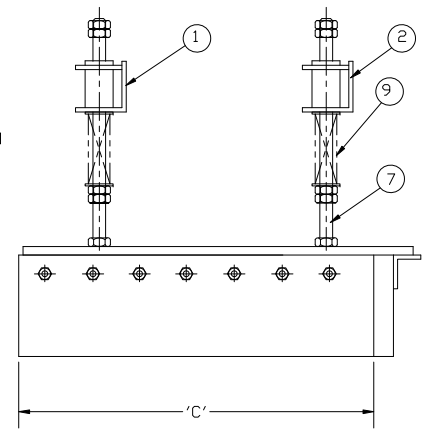
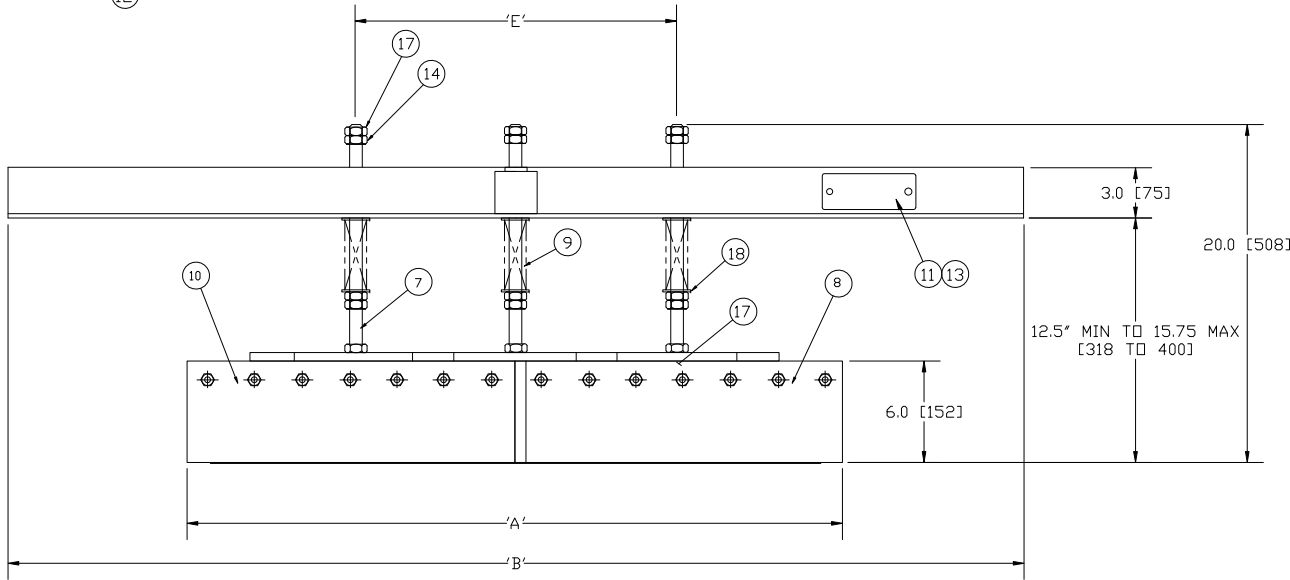
BELT WIDTH	'A'	'B'	'C'	'D'	'E'	F	G	H	I	J	K	L	M	N	O	P
30 [762]	32 [813]	54 [1372]	16 [406]	6.5 [165]	13 [330]	20300091	20300079	20300049	20300042	20300028	20300035	20300115	20300103	12	12	10
36 [914]	38 [965]	60 [1524]	19 [482]	9.5 [241]	19 [483]	20300092	20300080	20300049	20300043	20300029	20300036	20300116	20300104	14	14	12
42 [1067]	44 [1118]	66 [1676]	22 [559]	12.5 [318]	25 [635]	20300093	20300081	20300049	20300044	20300030	20300037	20300117	20300105	16	16	14
48 [1219]	50 [1270]	72 [1829]	25 [635]	15.5 [394]	31 [787]	20300094	20300082	20300049	20300045	20300031	20300038	20300118	20300106	18	18	16
54 [1372]	56 [1422]	78 [1981]	28 [711]	18.5 [470]	37 [940]	20300095	20300083	20300049	20300046	20300032	20300039	20300119	20300107	20	20	18
60 [1524]	62 [1575]	84 [2134]	31 [787]	21.5 [546]	43 [1092]	20300096	20300084	20300049	20300047	20300033	20300040	20300120	20300108	22	22	20
72 [1829]	74 [1880]	96 [2438]	37 [940]	27.5 [699]	55 [1397]	20300097	20300085	20300049	20300048	20300034	20300041	20300121	20300109	24	24	22
84 [2134]	86 [2184]	108 [2743]	31 [787]	21.5 [546]	43 [1092]	20300294	20300296	20300049	20300291	20300292	20300297	20300298	20300299	30	30	28
96 [2438]	98 [2489]	120 [3048]	37 [940]	27.5 [699]	55 [1397]	20300350	20300351	20300049	20300349	20300356	20300357	20300352	20300353	34	34	32

REVISIONS				
REV.	E.C.D.	DESCRIPTION	DATE	BY APP'D
D	3744	ADD 84" & 96" MODELS	8/16/2012	GL DLG



DET.	DRAWING	PART NO.	DESCRIPTION	QTY.
1	B0300062	F	FRONT FRAME SUPPORT	1
2	B0300007	G	REAR FRAME SUPPORT	1
3	B0300005	20300042	FRONT CROSS MEMBER	1
4	B0300004	I	REAR CROSS MEMBER	1
5	B0300003	J	RIGHT BLADE SUPPORT	1
6	B0300061	K	LEFT BLADE SUPPORT	1
7	A0300001	20300001	THREADED ROD	3
8	B0300064	L	LEFT BLADE	1
9		40116555	SPRING	3
10	B0300063	M	RIGHT BLADE	1
11	A0370007	20370001	NAME PLATE	1
12	A0290015	20290003	SAFETY CHAIN	2
13		22016101	DRIVE RIVET	2
14		22014801	3/4-10 HEX NUT	12
15		22014404	1/2-13 NYLON LOCKNUT	8
16		22014203	3/8-16 NYLON LOCKNUT	N
17		20364802	3/4-10 NYLON LOCKNUT	6
18		22013105	3/4 FLATWASHER	6
19		22013102	3/8 FLATWASHER	0
20		20041301	1/2-13X1-1/2 H.H.C.S.	8
21		22011203	3/8-16X1-3/4 H.H.C.S.	P
22		22011204	3/8-16 X 2 HHCS	2

*(BW) DENOTES BELT WIDTH
ALL DIMS IN [] ARE IN MILLIMETERS.



THIS DRAWING IS COMPUTER GENERATED.

DWN CLO	DATE 4/24/80	CONVEYOR COMPONENTS CO. 130 SELTZER RD, CROSSWELL, MI 48422
CKD	DATE	
APD JK	DATE 4/24/80	MODEL HPT BELT CLEANER ASSEMBLY

THIS PRINT IS THE PROPERTY OF CONVEYOR COMPONENTS CO. AND MUST NOT BE USED IN WHOLE, OR PART WITHOUT WRITTEN PERMISSION. PLEASE RETURN ON DEMAND.

PART NO.	DWG. NO. C0300005	REV. D
SCALE NONE	SHT. 1-1	

DWG. NO. C0300005 SHT. REV. 1-1 D