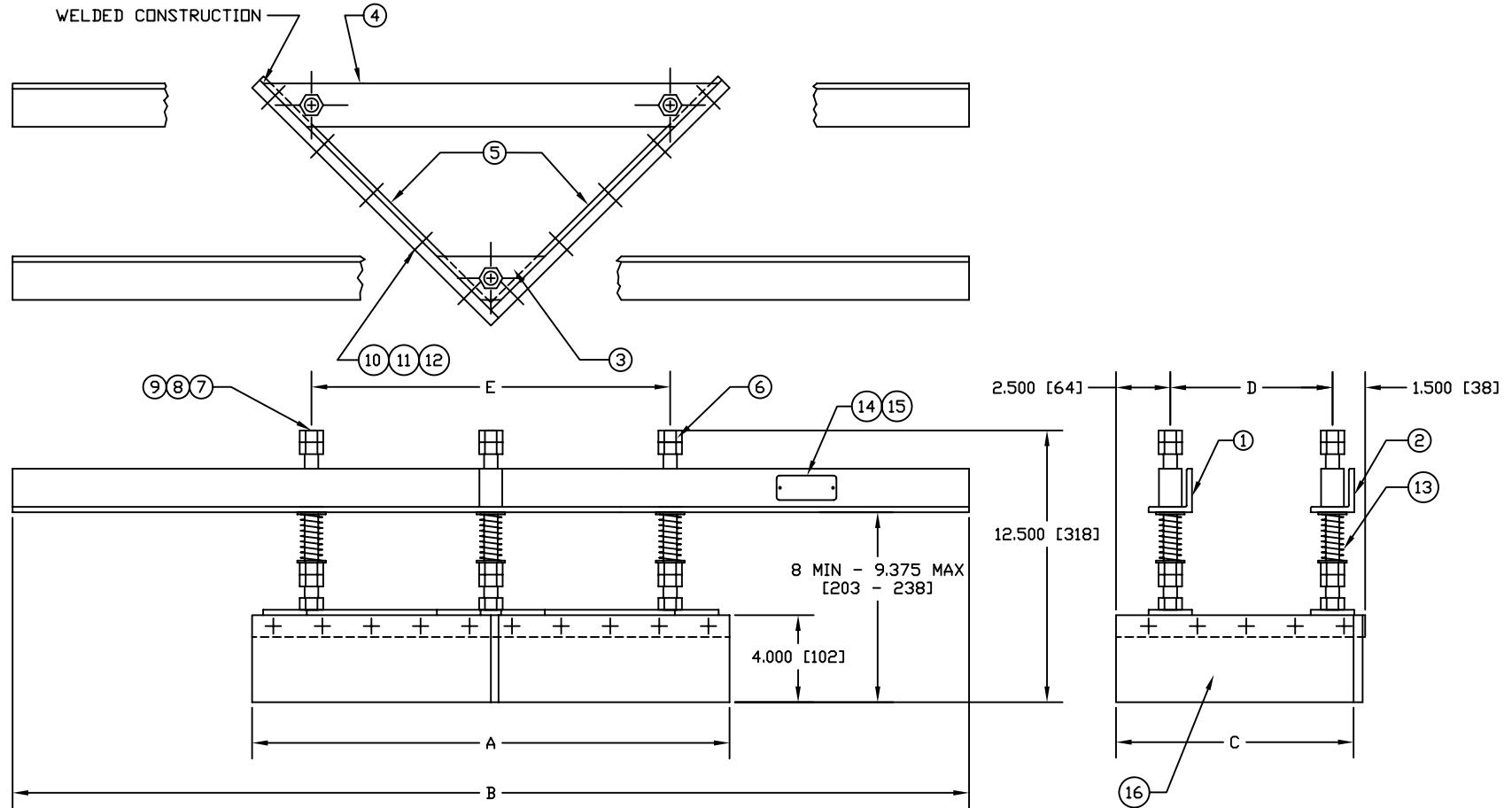


REVISIONS				
REV.	E.C.D.	DESCRIPTION	DATE	BY APP'D
A	2272	CORRECT PART LISTING	12/09/03	GL JK



16		21078819	1/2 X 4 80 DUR RUBBER	QAL
15		22016101	DRIVE RIVET	2
14	A0370007	20370001	NAME PLATE	1
13		20296548	1" DIA X 3" LONG SPRINGS	3
12		22014101	5/16 FLEXLOC NUT	AR
11		22013101	5/16 WASHERS	AR
10		22011149	5/16 X 1 1/4 CAP SCREWS	AR
9		22013503	5/8 LOCK WASHERS	3
8		20294601	5/8 HEX NUTS	18
7		22013104	5/8 FLAT WASHERS	6
6	A0290008	20290006	THREADED ROD - 9 1/2"	3
5	B0290001	T	BLADE SUPPORT	1
4	B0290002	X	CROSS MEMBER REAR	1
3	A0290003	20290001	CROSS MEMBER FRONT	1
2	B0290003	Y	FRAME SUPPORT REAR	1
1	B0290004	Z	FRAME SUPPORT FRONT	1
ITEM	DWG #	PART	DESCRIPTION	QTY



NOTE!
ALL PARTS THAT HAVE NO DETAIL NO ARE PURCHASED PARTS

THIS DRAWING IS COMPUTER GENERATED.			
DWN GL	DATE 11/01/02	CONVEYOR COMPONENTS CO.	
CKD	DATE	130 SELTZER RD, CROSWELL, MI 48422	
APD JK	DATE 11/01/02	PT LOW PROFILE LESS THAN 30"	
THIS PRINT IS THE PROPERTY OF CONVEYOR COMPONENTS CO. AND MUST NOT BE USED IN WHOLE, OR PART WITHOUT WRITTEN PERMISSION.			
PART NO.	DWG. NO. C0290039	REV. A	
SCALE 1/4"=1"	SIZE C	SHT. 1-1	

SIZE	A	B	C	D	E	Z	Y	X	T	QAL
12[305]	14[356]	36[914]	7[178]	4[102]	8.500[216]	20290030	20290018	20290013	20290008	35 1/2
16[406]	18[457]	40[1016]	9[229]	6[152]	12.500[318]	20290031	20290019	20290014	20290009	47 1/2
18[457]	20[508]	42[1067]	10[254]	7[178]	14.500[368]	20290032	20290020	20290015	20290010	53 1/2
20[508]	22[559]	44[1118]	11[279]	8[203]	16.500[419]	20290033	20290021	20290016	20290011	59 1/2
24[610]	26[660]	48[1219]	13[330]	10[254]	20.500[521]	20290034	20290022	20290017	20290012	71 1/2