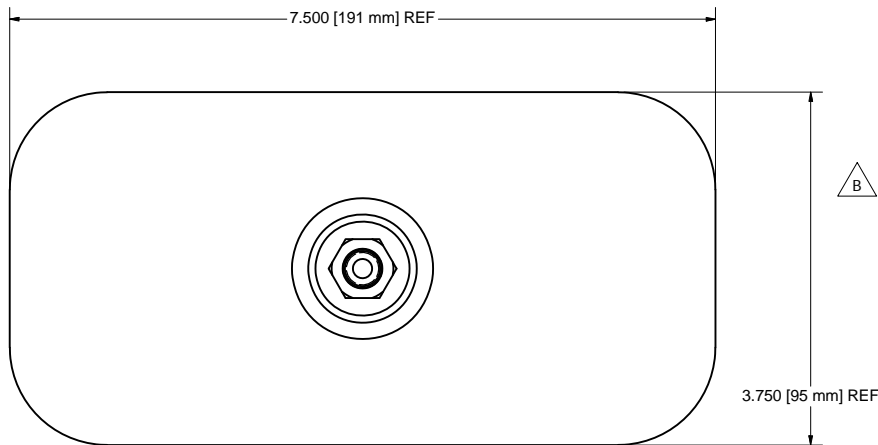
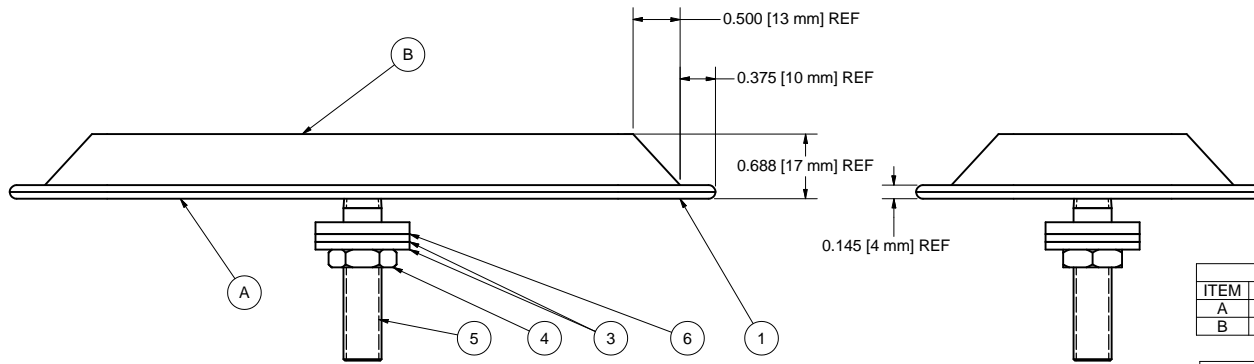
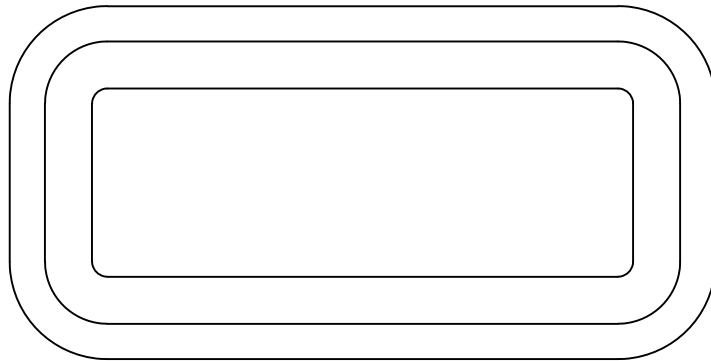


REV	ECO	DESCRIPTION	DATE	BY	APP
B	3281	CHANGE WASHER / REDRAW	8/5/2009	GL	JK



NOTES:
 DIFFUSER EDGES MUST BE HELD BY BODY CRIMPING OPERATION TO PREVENT ANY DIFFUSER MOVEMENT IN AERATOR BODY.


SUB ASSEMBLY COMPONENTS: 20160060				
ITEM	PART	DWG	DESCRIPTION	QTY
A	20160061	B0160017	BODY BRACKET ASSEMBLY PLATED	1
B	20160043	B0160019	FIBERGLASS GALVANIZED DIFFUSER	1

SUB ASSEMBLY COMPONENTS: 20160059				
ITEM	PART	DWG	DESCRIPTION	QTY
A	20160061	B0160017	BODY BRACKET ASSEMBLY PLATED	1
B	20160042	B0160019	COTTON GALVANIZED DIFFUSER	1

PARTS LIST				
ITEM	PART#	DWG	DESCRIPTION	QTY
1	20160060		OPTIONAL: FG AERATOR - BODY & DIFFUSER - CLOSED - PLATED W/ FIBERGLASS	1
	20160059		CG AERATOR - BODY & DIFFUSER - CLOSED - PLATED W/ COTTON	
2	20160019	A0160027	Label AD Aerator A009RFBK	1
3	AD-9S		Stainless steel spacer washer	2
4	AD-6	A0160015	Brass locknut.	1
5	AD-5	A0160004	Brass tank nipple.	1
6	AD-10	A0160004	1/8" neoprene gasket.	1

MODEL AD-C: COTTON CLOTH DIFFUSER
 MODEL AD-F: FIBERGLASS CLOTH DIFFUSER

HARDWARE PACKAGED UN-ASSEMBLED.

DRAWN RM	8/22/1983	 Conveyor Components Company 130 Seltzer Road Crosswell, Michigan, U.S.A., 48422	
CHECKED JK	8/6/2009		
APPROVED CLO	8/24/1983	TITLE	
PART		AERATOR FINAL ASSEMBLY: AD-C / AD-F	
THIS PRINT IS PROPERTY OF CONVEYOR COMPONENTS CO., AND MAY NOT BE USED IN WHOLE OR PART WITHOUT WRITTEN PERMISSION.		Drawing is computer generated, and print might not be to scale	
SIZE C	DWG NO C0160005.dwg	REV B	
SCALE			SHEET 1 OF 1