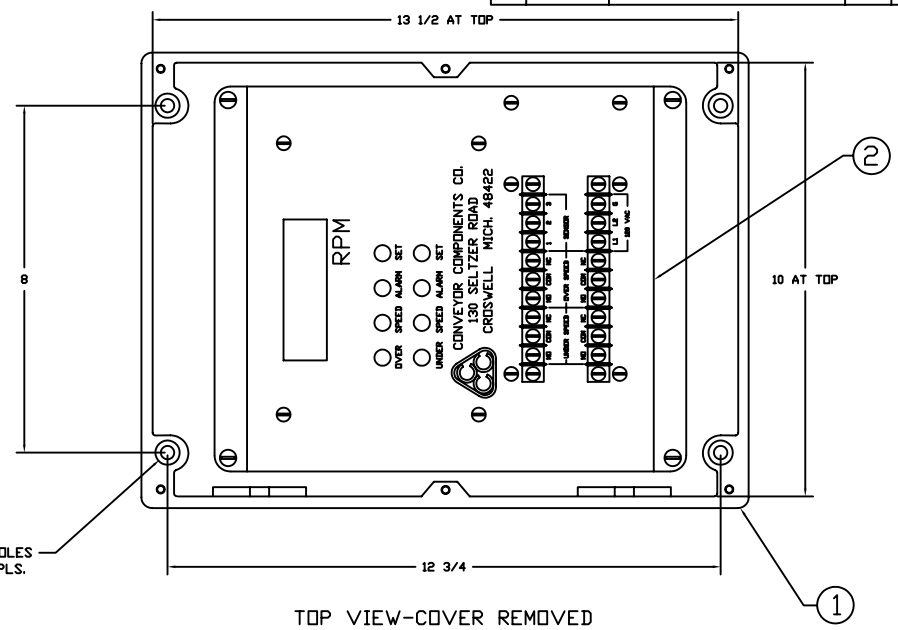
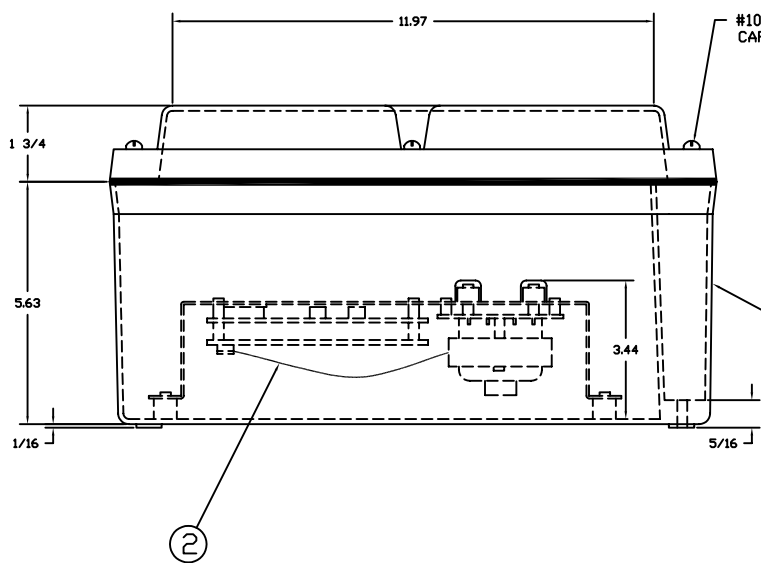


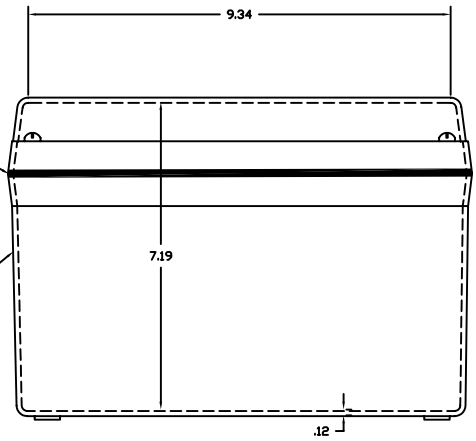
Ø.31 MOUNTING HOLES  
Ø.56 C'BORE, 4 PLS.



TOP VIEW-COVER REMOVED



.19 THICK GASKET



NOTE: HINGED COVER OPENS 200° MAX.

DET.	DWG./PART NO.	DESCRIPTION	QTY.
1	A-201-6611	FIBERGLASS ENCLOSURE	1
2	D-005-0030	MSD ASSEMBLY	1

REVISIONS					
REV.	E.C.D. NO.	DESCRIPTION	BY	APP'D	DATE

DWN RJ	DATE 9-23-91	CONVEYOR COMPONENTS COMPANY 130 SELTZER ROAD, CROSSWELL, MI. 48422		
CKD	DATE	MSD CHASSIS ASSY IN FIBERGLASS NEMA 4X ENCLOSURE		
APD JK	DATE 9-25-91	PART NO.	DWG. NO. C-005-0040	REV
THIS PRINT IS THE PROPERTY OF CONVEYOR COMPONENTS CO. AND MUST NOT BE USED IN WHOLE, OR PART WITHOUT WRITTEN PERMISSION. PLEASE RETURN ON DEMAND.		SCALE NONE	SHT.	

DWG. NO. C-005-0040 SHT. REV.