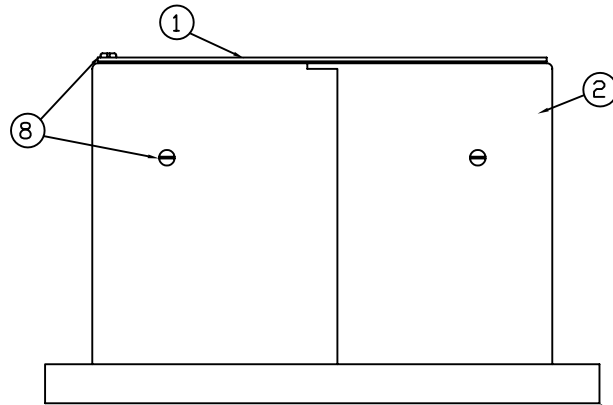
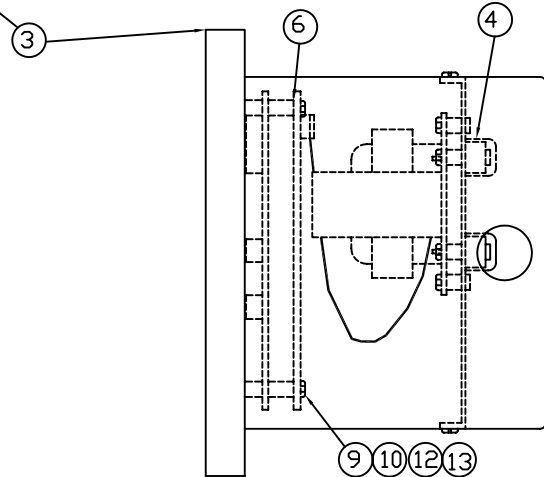
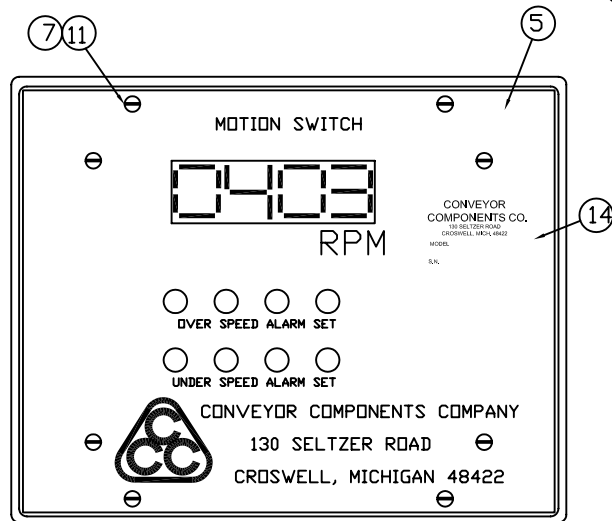


REVISIONS

REV.	E.C.O.	DESCRIPTION	DATE	BY	APP'D
A	3027	ADD SERIAL NUMBER STICKER	03/03/08	KS	JK



DET	DWG/PART#	DESCRIPTION	QTY
1	C-005-0014	READOUT REAR COVER	1
2	C-005-0004	ENCLOSURE WELDMENT	1
3	C-005-0005	ENCLOSURE BEVEL	1
4	D-005-0010	OUTPUT PLATE ASSEMBLY	1
5	D-005-0011	FRONT PLATE W/WINDOW	1
6	D-005-0034	MSD READOUT/LOGIC BOARD ASSY.	1
7	A-201-1067	6-32 X 3/8 R.H.M.S.	5
8	A-201-1071	6-32 X 1/4 SELF TAPPING M.S.	8
9	A-201-1094	6-32 HEX NUT	5
10	A-201-3405	#6 INT TOOTH LOCKWASHER	13
11	A-201-4607	RIV NUT	4
12	A-201-1107	6-32 X 1 1/4 P.H.M.S.	4
13	A-201-4609	6-32 X 1/2 SPACER	8
14	20200004	SERIAL NUMBER STICKER	1



CONVEYOR COMPONENTS COMPANY
 130 SELTZER RD., CROSWELL, MICH. 48422

THIS PRINT HAS NO SCALE & SHOULD NOT BE SCALED

DRAWN R/J	07/24/92	THIS DRAWING WAS COMPUTER GENERATED IN FULL SCALE.
CHECK ---	---/---/---	
APPR. JK	07/29/92	MDS-2 CONTROL UNIT ASSY.

THIS PRINT IS THE PROPERTY OF CONVEYOR COMPONENTS COMPANY AND MUST NOT BE USED IN WHOLE OR PART WITHOUT WRITTEN PERMISSION. PLEASE RETURN ON DEMAND.

PART NO.	DWG NO.	REV.
-----	-C0050037	A