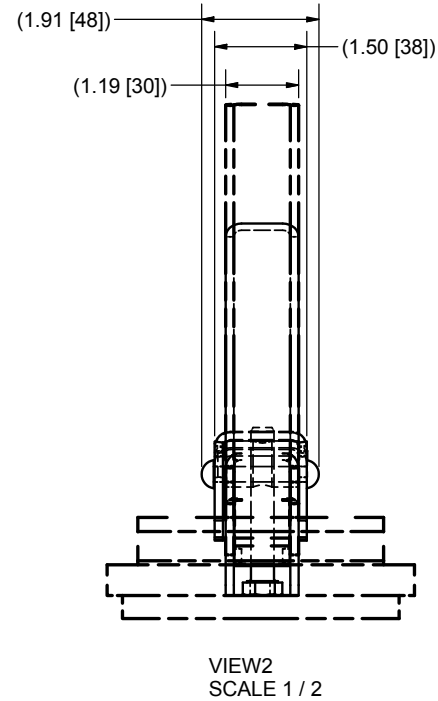
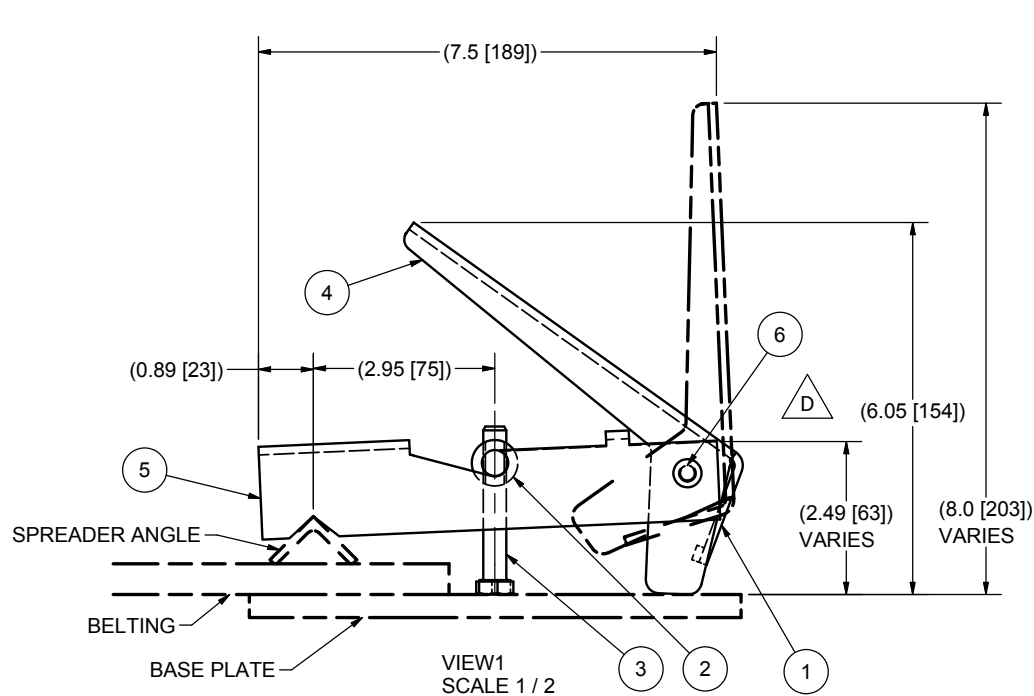


REV	ECO	DESCRIPTION	DATE	BY	APP
D	3617	ADD ZINC PLATING	4/6/2011	GL	JK



PARTS LIST: SC-4				
ITEM	PART#	DWG	DESCRIPTION	I QTY
1	20070008	B0070006	Handle & body assembly: SC-4	1
2	20070002	A0070001	Pivot skirt clamp plated.	1
3	20071217		3/8-16 X 2-1/2 FULL THREAD HEX HEAD CAP SCREW B/O	1


PARTS LIST: SUB-ASSEMBLY 20070008				
ITEM	PART#	DWG	DESCRIPTION	I QTY
4	20076555	B0070004	SKIRT CLAMP HANDLE - PLATED	1
5	20076557	B0070005	SKIRT CLAMP BODY - PLATED	1
6	20076107		1/4 X 1-5/8 R.H. RIVET Z/P	1

NOTE:  
 BASE PLATE, BELTING  
 AND SPREADER ANGLE  
 ARE CUSTOMER SUPPLIED.



DRAWN	GL	8/16/2006
CHECKED	JK	4/28/2011
APPROVED	JK	8/16/2006

PART  
 SC-4  
 THIS PRINT IS PROPERTY  
 OF CONVEYOR  
 COMPONENTS CO., AND  
 MAY NOT BE USED IN  
 WHOLE OR PART WITHOUT  
 WRITTEN PERMISSION.

 <b>Conveyor Components Company</b> 130 Seltzer Road Crosswell, Michigan, U.S.A., 48422		TITLE
		<b>SC-4 SKIRTBOARD CLAMP ASSEMBLY</b> Drawing is computer generated, and print might not be to scale
SIZE	DWG NO	REV
B	B0070006.dwg	D
SCALE	SHEET 1 OF 1	