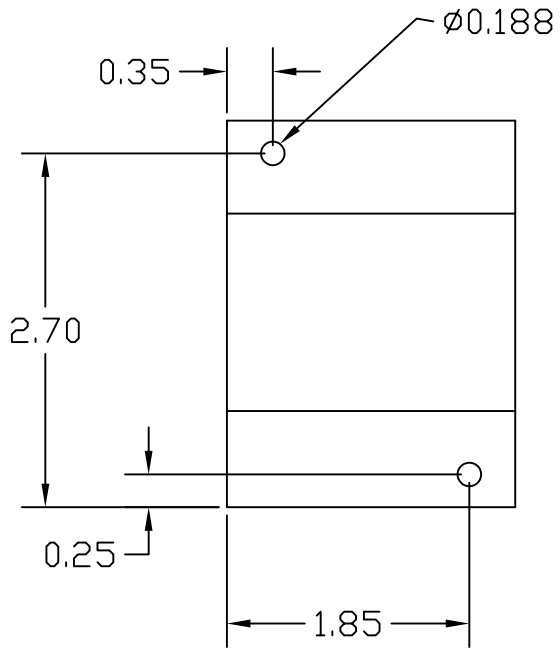
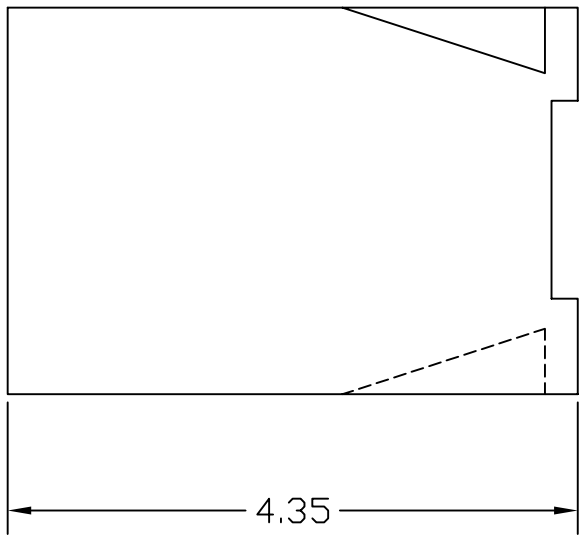
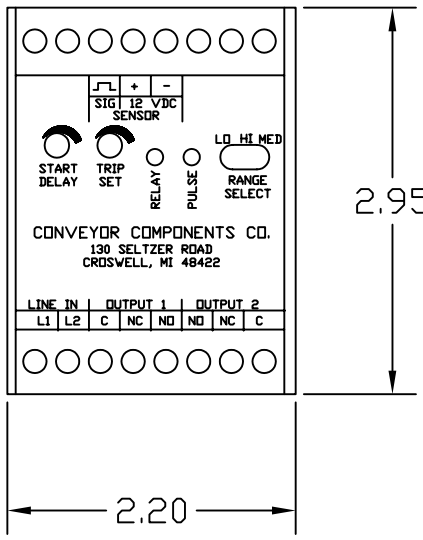


DWG. NO. B0050050

SHT. 1-1 REV. A

REVISIONS					
REV.	E.C.D.	DESCRIPTION	DATE	BY	APP'D
A	2230	CORRECT OUTPUT CONTACT MARKINGS	10/01/03	GL	JK



THIS DRAWING IS COMPUTER GENERATED.					
DWN JK	DATE	12/16/98	CONVEYOR COMPONENTS CO.		
CKD	DATE		130 SELTZER RD, CROSWELL, MI 48422		
APD JK	DATE	12/16/98	RMS MOUNTING DIMENSIONS		
THIS PRINT IS THE PROPERTY OF CONVEYOR COMPONENTS CO. AND MUST NOT BE USED IN WHOLE, OR PART WITHOUT WRITTEN PERMISSION.		PART NO.	DWG. NO.	B0050050	REV. A
PLEASE RETURN ON DEMAND.		SCALE	FULL	SIZE	B
		SHT.	1-1		