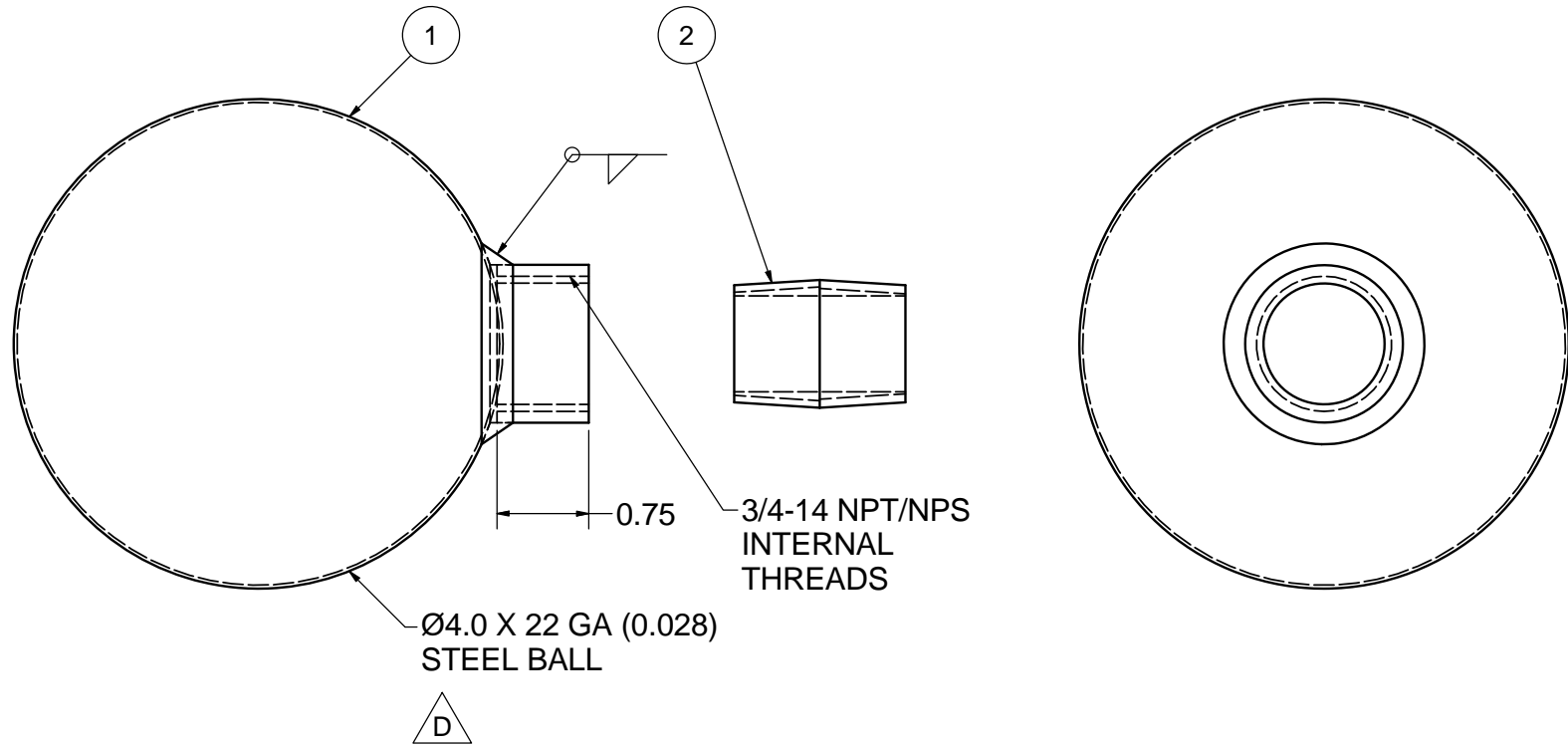



REV	ECO	DESCRIPTION	DATE	BY	APPD
D	3826	CHANGE WALL THICKNESS	10/29/2012	GL	JK



PARTS LIST

ITE	PART#	DWG	DESCRIPTION	I QTY
1	20027000	B0020130	4" DIA SPHERE 22 GA WITH 3/4 NPT/NPS 1/2-COUPLING	1
2	20026615	B0020130	3/4" NPT CLOSE GALVANIZED PIPE NIPPLE	1

DRAWN	GL	9/28/2001	 Conveyor Components Company 130 Seltzer Road Croswell, Michigan, U.S.A., 48422
CHECKED	JK	10/30/2012	
APPROVED	JK	9/28/2001	TITLE
PART	CT-600		CT FLOAT BALL ASSEMBLY
THIS PRINT IS PROPERTY OF CONVEYOR COMPONENTS CO., AND MAY NOT BE USED IN WHOLE OR PART WITHOUT WRITTEN PERMISSION.			Drawing is computer generated, and print might not be to scale SIZE B DWG NO B0020130.dwg SCALE
			REV D
			SHEET 1 OF 1