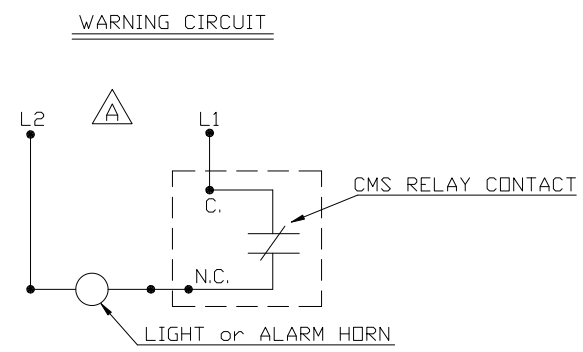
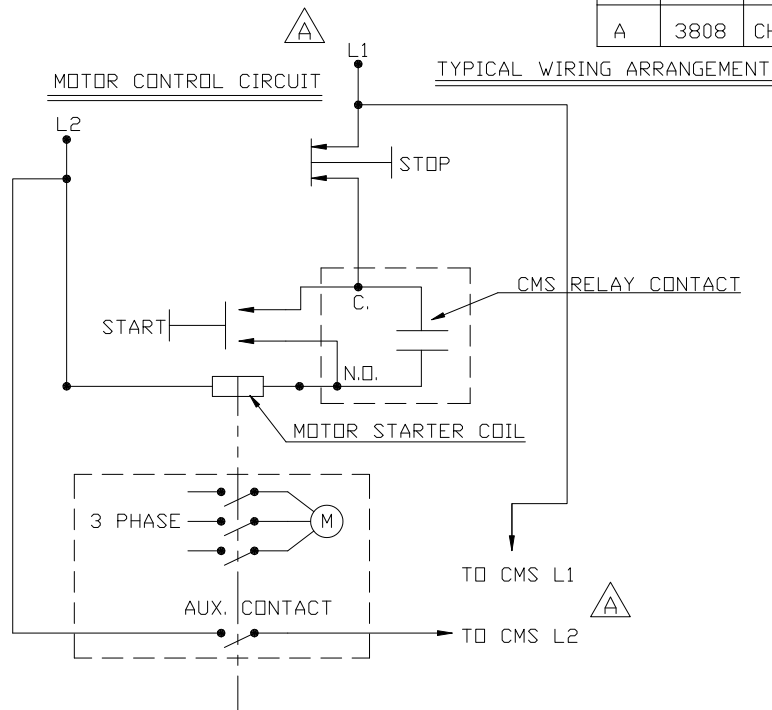


REVISIONS					
REV.	E.C.D.	DESCRIPTION	DATE	BY	APP'D
A	3808	CHANGE L1, L2 NOTATION; UPDATE SPECS	8/31/12	GL	JK



Input Voltage: CMS-1G/CMS-1X: 105-135 volts AC, 50/60 Hz.  
 CMS-2G/CMS-2X: 210-250 volts AC, 50/60 Hz.  
 CMS-3G/CMS-3X: 24 volts AC/DC, 50/60 Hz.

Output: DPDT relay to 3 Amp. Resistive at 120 volts AC  
 DPDT relay to 3 Amp. Resistive at 240 volts AC  
 DPDT relay to 3 Amp. Resistive at 30 volts DC  
 1/10 Horsepower at 120 volts AC  
 1/10 Horsepower at 240 volts AC

Operating Temperature Range: 14° F to +131° F (-10°C to +55°C)  
 Repeatability: +2% maximum at constant voltage and temperature.  
 Power Consumption: 3 Watts

THIS DRAWING IS COMPUTER GENERATED.

DWN EL	DATE 11/20/97	CONVEYOR COMPONENTS CO. 130 SELTZER RD, CROSWELL, MI 48422		
CKD	DATE	TYPICAL WIRE DIAGRAM FOR C.M.S.		
APD JK	DATE 11/20/97			
THIS PRINT IS THE PROPERTY OF CONVEYOR COMPONENTS CO. AND MUST NOT BE USED IN WHOLE, OR PART WITHOUT WRITTEN PERMISSION. PLEASE RETURN ON DEMAND.		PART NO.	DWG. NO. A0200033	REV. A
		SCALE NONE		SHT. 1-1