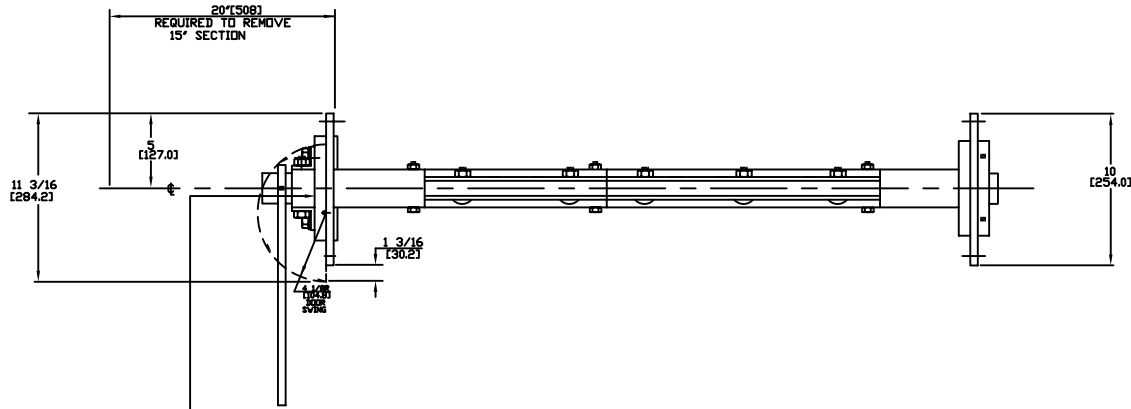
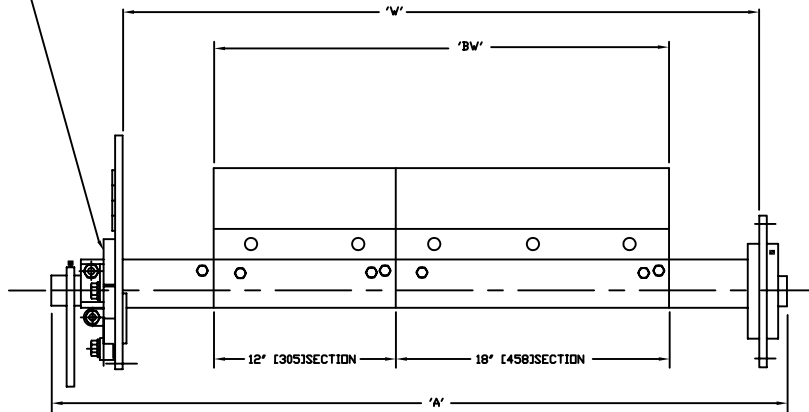
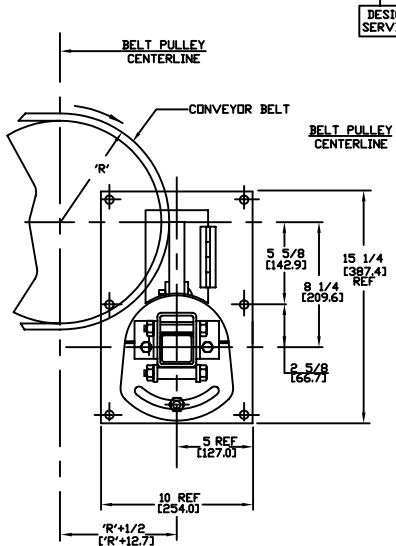


REVISIONS

REV.	E.C.D. NO.	DESCRIPTION	BY	APP'D	DATE
H	0179	REDRAW TO COMPUTER	RM	JK	8-14-89
I	0706	ADD METRIC DIM	RM	JK	7-31-92



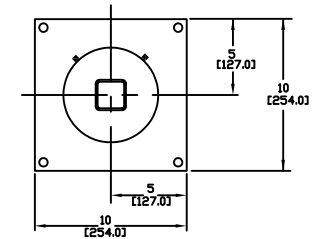
'BW'	'W'		'A'
	MAX	MIN	
12 [305]	42 [1066.8]	15 [381.0]	54 [1371.6]
18 [457.2]	48 [1219.2]	21 [533.4]	60 [1524.0]
24 [609.6]	54 [1371.6]	27 [685.8]	66 [1676.4]
30 [762.0]	60 [1524.0]	33 [838.2]	72 [1828.8]
36 [914.4]	66 [1676.4]	39 [990.6]	78 [1981.2]
42 [1066.8]	72 [1828.8]	45 [1143.0]	84 [2133.6]
48 [1219.2]	78 [1981.2]	51 [1295.4]	90 [2286.0]
54 [1371.6]	84 [2133.6]	57 [1447.8]	96 [2438.4]
60 [1524.0]	90 [2286.0]	63 [1600.2]	102 [2590.8]
66 [1676.4]	96 [2438.4]	69 [1752.6]	108 [2743.2]
72 [1828.8]	102 [2590.8]	75 [1905.0]	114 [2895.6]
84 [2133.6]	114 [2895.6]	87 [2209.8]	126 [3200.4]



NOTE: 2" X 2" SUPPORT TUBE IS SOLID (1 PIECE) CONSTRUCTION. ALLOWANCE MUST BE MADE FOR INITIAL INSTALLATION.

RIGHT HAND INSTALLATION SHOWN

NOTE: ALL DIMENSIONS IN [] ARE IN MILLIMETERS



REFER TO C-039-0001 FOR INSTALLATION INSTRUCTIONS

REFER TO DWG. D-036-0020 FOR L.H. & R.H. INSTALLATIONS.

THIS DRAWING IS COMPUTER GENERATED.

DWN RM DATE 7-26-82 CONVEYOR COMPONENTS COMPANY
CKD CL DATE 8-4-82 130 SELTZER ROAD, CROSWELL, MI. 48422

APD JK DATE 9-1-82 MODEL RLP-358 CHUTE MOUNT

REFERENCE DIMENSIONS			
PART NO.	DWG. NO.	REV	
	D-039-0003	1	
SCALE 1/4"=1"	SH.		

THIS PRINT IS THE PROPERTY OF CONVEYOR COMPONENTS CO. AND MUST NOT BE USED IN WHOLE OR PART WITHOUT WRITTEN PERMISSION. PLEASE RETURN ON DEMAND.