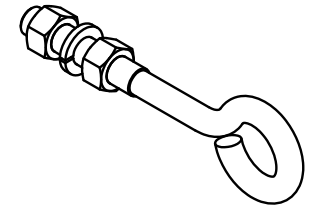
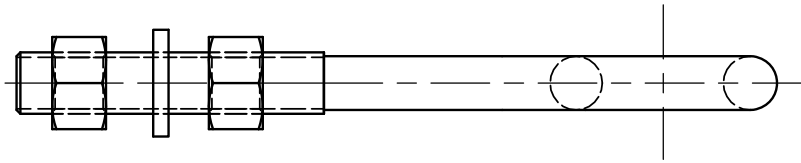
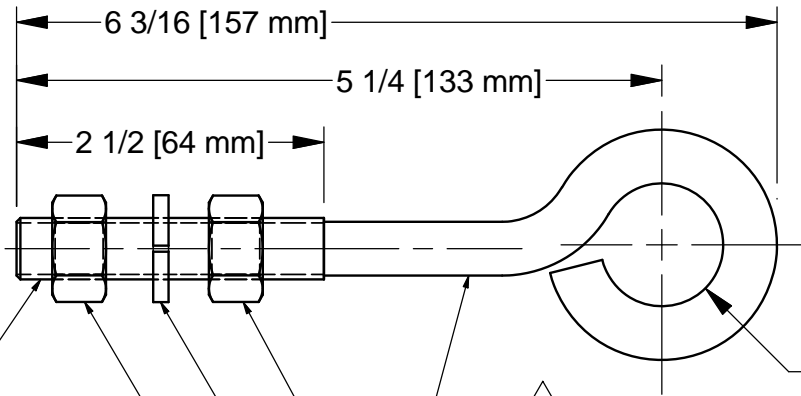


REV	ECO	DESCRIPTION	DATE	BY	APP
B	0076c	ADD OVERALL LENGTH, CHG. WASHER	3/19/2015	GL	DLG



VIEW 4
SCALE 1/2



THREAD:
1/2-13 UNC - 2A


- 2
- 3
- 2
- 1



Ø1 [25 mm]

ALL DIMS FOR REFERENCE ONLY.

PARTS LIST				
ITEM	PART#	DWG	DESCRIPTION	QTY
1	20176539	A0170102	EYE BOLT - ZINC PLATED	1
2	22014401		1/2-13 HEX NUT Z/P	2
3	22013502		1/2" LOCKWASHER Z/P	1

DRAWN GL	2/1/2008	 Conveyor Components Company Division of Material Control, Inc. 130 Seltzer Road, Crosswell, Michigan 48422 U.S.A.	
CHECKED DLG	3/24/2015		
APPROVED JK	2/8/2008	TITLE	
PART RS-27		RS-27 EYEBOLT / HARDWARE	
THIS PRINT IS PROPERTY OF CONVEYOR COMPONENTS CO., AND MAY NOT BE USED IN WHOLE OR PART WITHOUT WRITTEN PERMISSION.		Drawing is computer generated, and print might not be to scale SIZE: B DWG NO: D0170127.dwg SCALE:	REV: B SHEET 1 OF 1