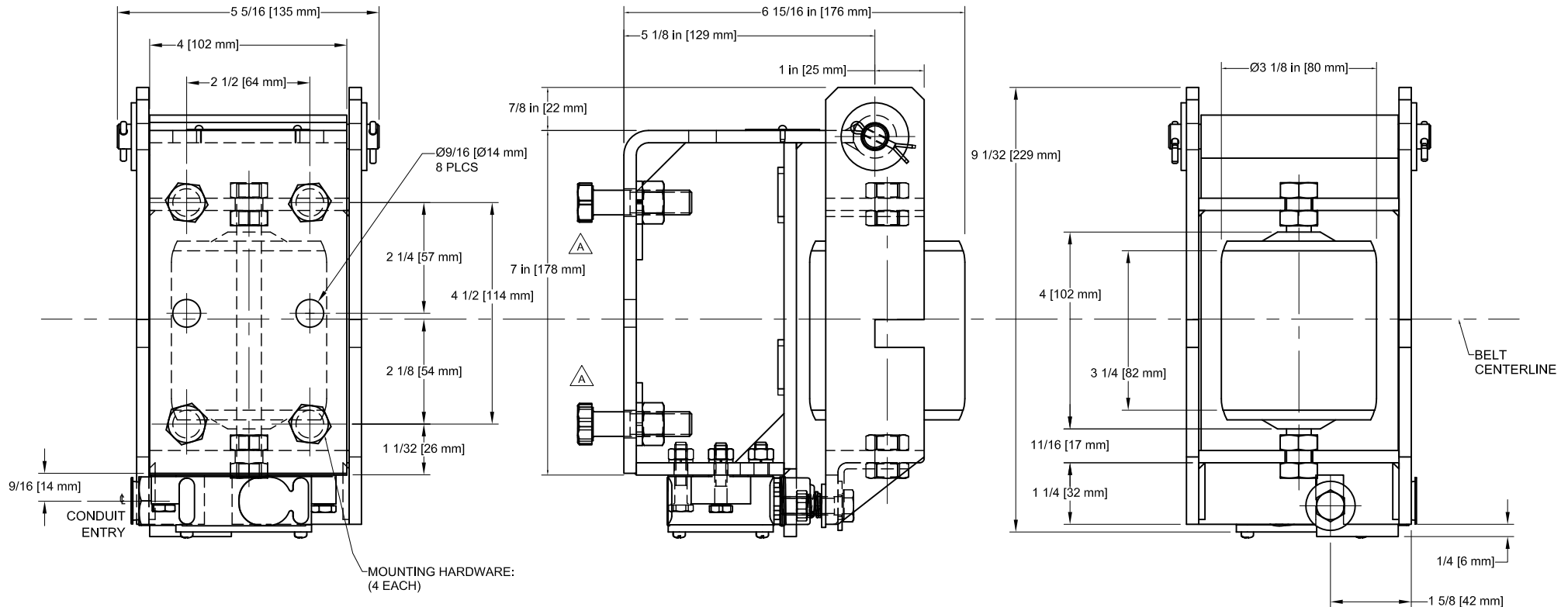
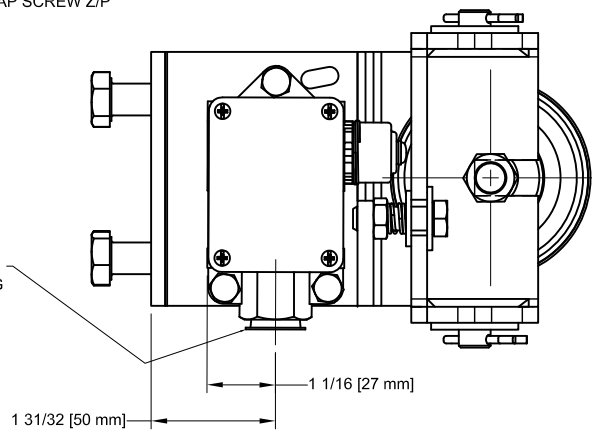


REV	ECO	DESCRIPTION	DATE	BY	APPD
A	3858	UPDATE HARDWARE AND DWG	10/15/2015	GL	DLG



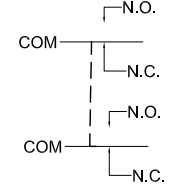
MOUNTING HARDWARE:
(4 EACH)
1/2-13 X 2 HEX HEAD CAP SCREW Z/P
1/2" LOCKWASHER Z/P
1/2-13 HEX NUT Z/P

1/2"-14 NPT CONDUIT ENTRY.
FOR WIRING, REMOVE SHIPPING
PLUG IF PRESENT



MICRO SWITCH DTF2-2-RN-LH

10 AMPS @ 125V OR 250V AC
0.3 AMP @ 125V DC
0.15 AMP @ 250V DC



REFER TO BOM FOR PARTS LIST.
ALL DIMS ARE REFERENCE.
DIMS IN [] ARE IN MILLIMETERS.

RECOMMENDED SPARE PARTS:
1 EA. SPRING 20066445

DRAWN		10/10/1995	 Conveyor Components Company Division of Material Control, Inc. 139 Seltzer Road, Crosswicks, Michigan 48422 U.S.A.
CHECKED		DLG	
APPROVED		10/27/2015	
PART		10/10/1995	
MODEL BA-2			
<small>THIS FRONT IS PROPERTY OF CONVEYOR COMPONENTS CO., AND MAY NOT BE USED IN WHOLE OR PART WITHOUT WRITTEN PERMISSION.</small>			Drawing is computer generated, and print might not be to scale SIZE: D TITLE: D0060020.dwg SCALE:
SHEET 1 of 1			REV A