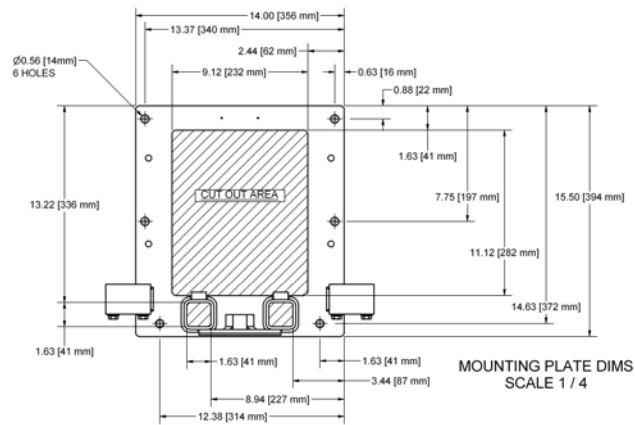
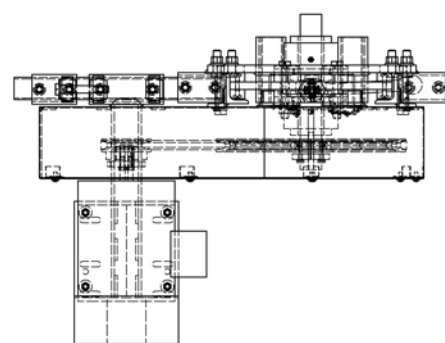


REV	ECO	DESCRIPTION	DATE	BY	APP
	ECO	INITIAL RELEASE	7/8/2009	GR	JK

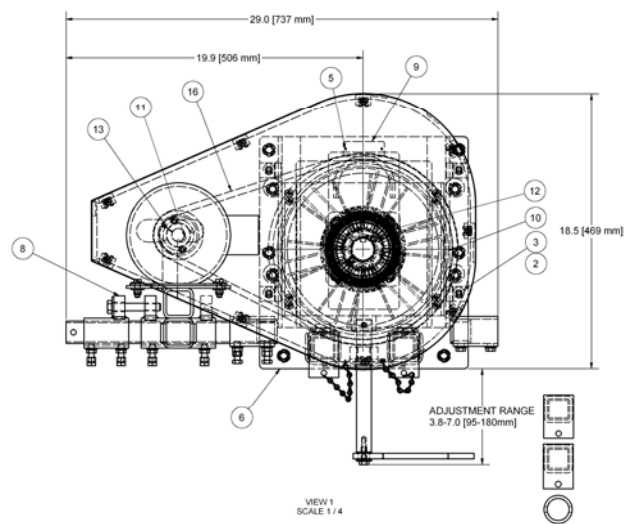


MOUNTING PLATE DIMS
SCALE 1 / 4

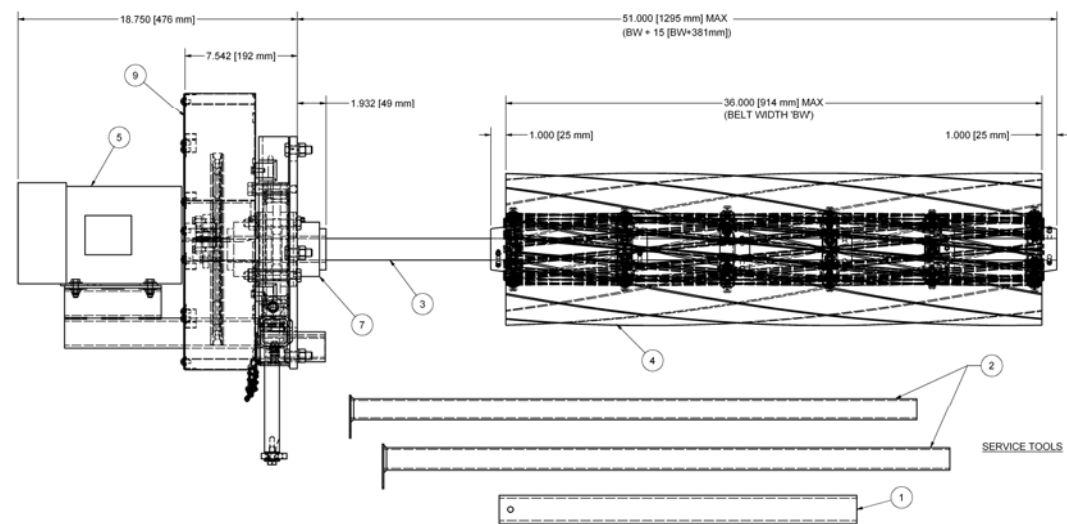
STANDARD BRC BRUSH SIZES	
BW	SHAFT OAL
6 [152mm]	28 [711mm]
8 [203mm]	30 [762mm]
12 [305mm]	34 [864mm]
16 [406mm]	38 [965mm]
18 [457mm]	40 [1016mm]
20 [508mm]	42 [1067mm]
24 [610mm]	46 [1168mm]
30 [762mm]	52 [1321mm]
36 [914mm]	58 [1473mm]

PARTS LIST		
ITEM	DESCRIPTION	I QTY
1	LEVERAGE TUBE	1
2	BRUSH GUIDE TUBE WELDED	2
3	SHAFT (1-7/16" diameter shaft for 30" brush (58" oal). SHOWN)	1
4	HELICALLY SHAPED BRUSH (H5040N36 SHOWN)	1
5	IHP, 3 PH, 60 HZ, 1150 RPM, TEFC, 230/460V motor FRAME 145T	1
6	Frame Assembly for BRC.	1
7	Bearing Assembly for BRC.	1
8	Motor Support Assembly for BRC with hardware.	1
9	Cover Assembly for BRC, with hardware.	1
10	PULLEY BK-130H	1
11	H-7/8 BUSHING	1
12	H 1-7/16 BUSHING MASKA BRAND ONLY	1
13	SHEAVE 3.35" OD (TYPE BK32H)	1
14	SHEAVE 4.95" OD (TYPE BK52H) NOT SHOWN	1
15	SHEAVE 6.25" OD (TYPE BK65H) NOT SHOWN	1
16	V-BELT 51.540 (BRC)	1
17	SHAFT KEY: 1 7/16" dia shaft, 3/8 X 1/4 X 2 1/2"	1

MODEL BRC040N36 SHOWN.



VIEW 1
SCALE 1 / 4



DRAWN	3/28/2002	 Conveyor Components Company 130 Seltzer Road Crosswicks, Michigan, U.S.A., 48422
CHECKED	7/14/2009	
APPROVED	7/14/2009	
PART		
THIS PRINT IS PROPERTY OF CONVEYOR COMPONENTS CO., AND MAY NOT BE USED IN WHOLE OR PART WITHOUT WRITTEN PERMISSION.		BRC PRODUCT DRAWING Drawing is computer generated, and print might not be to scale SIZE D DWG NO D0040057.dwg SCALE SHEET 1 OF 1