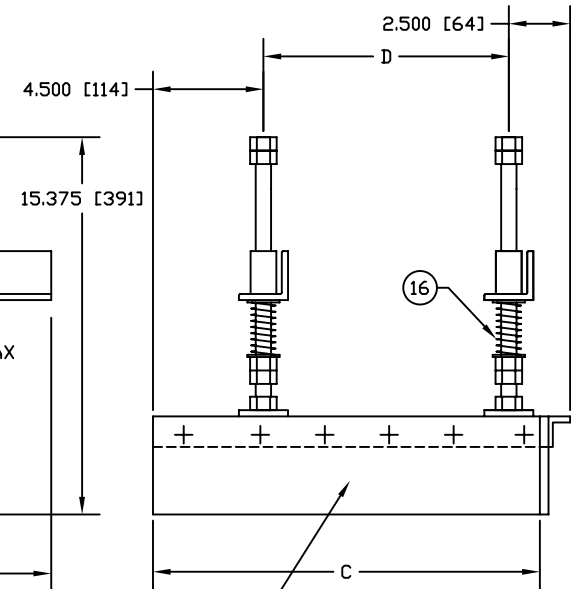
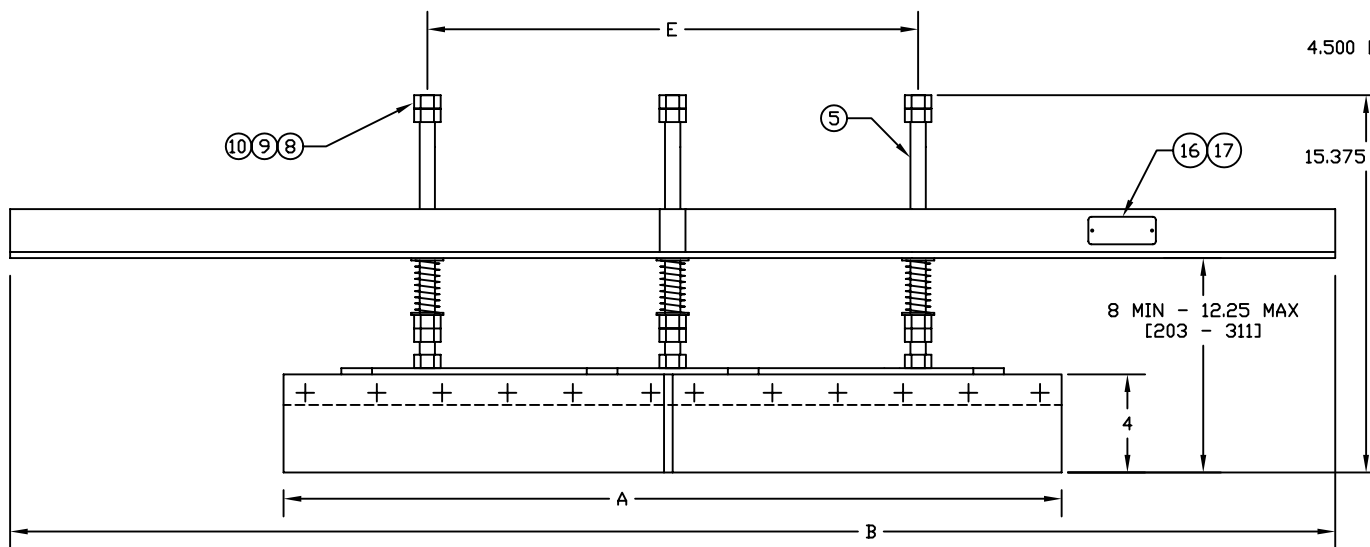
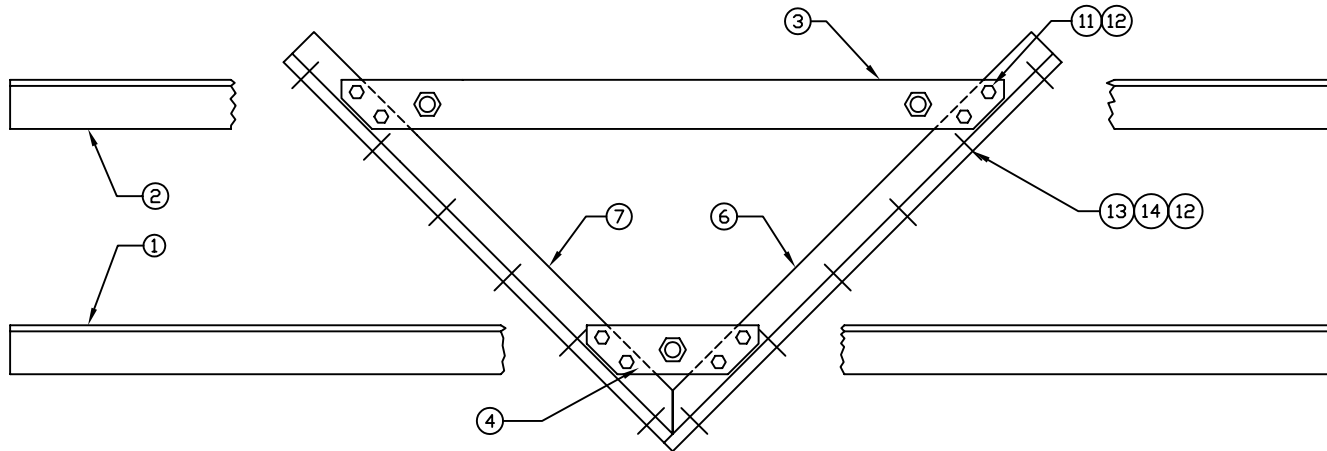


REVISIONS					
REV.	E.C.O.	DESCRIPTION	DATE	BY	APP'D
B	2272	CORRECT PART LISTINGS	12/09/03	GL	JK



ITEM	DWG #	PART	DESCRIPTION	QTY
18		21078819	1/2 X 4 80 DUREDOMETER RUBBER	ØAL
17		22016101	DRIVE RIVET	2
16	A0370007	20370001	NAME PLATE	1
15		20296548	1" DIA X 3" LONG SPRINGS	3
14		22013101	5/16 WASHER	AR
13		22011149	5/16 X 1 1/4 CAP SCREWS	AR
12		22014101	5/16 FLEXLOC NUT	AR
11		22011101	5/16 X 1 CAP SCREWS	8
10		22013104	5/8 FLAT WASHERS	6
9		22013503	5/8 LOCK WASHERS	3
8		20294601	5/8 HEX NUTS	18
7	B0290006	R	BLADE SUPPORT RIGHT	1
6	B0290007	T	BLADE SUPPORT LEFT	1
5	A0290002	20290004	THREADED ROD	3
4	B0290008	20290086	CROSS MEMBER FRONT	1
3	B0290005	X	CROSS MEMBER REAR	1
2	B0290003	Y	FRAME SUPPORT REAR	1
1	B0290004	Z	FRAME SUPPORT FRONT	1



NOTE!
ALL PARTS THAT HAVE NO
DETAIL NO ARE PURCHASED PARTS.
DIMS IN BRACKETS [] ARE IN MM.

THIS DRAWING IS COMPUTER GENERATED.

DWN CLO	DATE 04/28/80	CONVEYOR COMPONENTS CO.	
CKD	DATE	130 SELTZER RD, CROSWELL, MI 48422	
APD JK	DATE 04/28/80	PLOW TYPE CONVEYER BELT CLEANER 30' - 42'	
THIS PRINT IS THE PROPERTY OF CONVEYOR COMPONENTS CO. AND MUST NOT BE USED IN WHOLE, OR PART WITHOUT WRITTEN PERMISSION.			
PART NO.		DWG. NO. C0290003	REV. B
SCALE 1/4"=1"		SIZE C	SHT. 1-1

PLEASE RETURN ON DEMAND.

SIZE	A	B	C	D	E	Z	Y	X	T	R	ØAL
30[762]	32[813]	54[1372]	16[406]	10[254]	20[508]	20290035	20290023	20290065	20290079	20290072	44.375[1127]
36[914]	38[965]	60[1524]	19[483]	13[330]	26[660]	20290036	20290024	20290066	20290080	20290073	52.875[1343]
42[1067]	44[1118]	66[1676]	22[559]	16[406]	32[813]	20290037	20290025	20290067	20290081	20290074	61.375[1559]